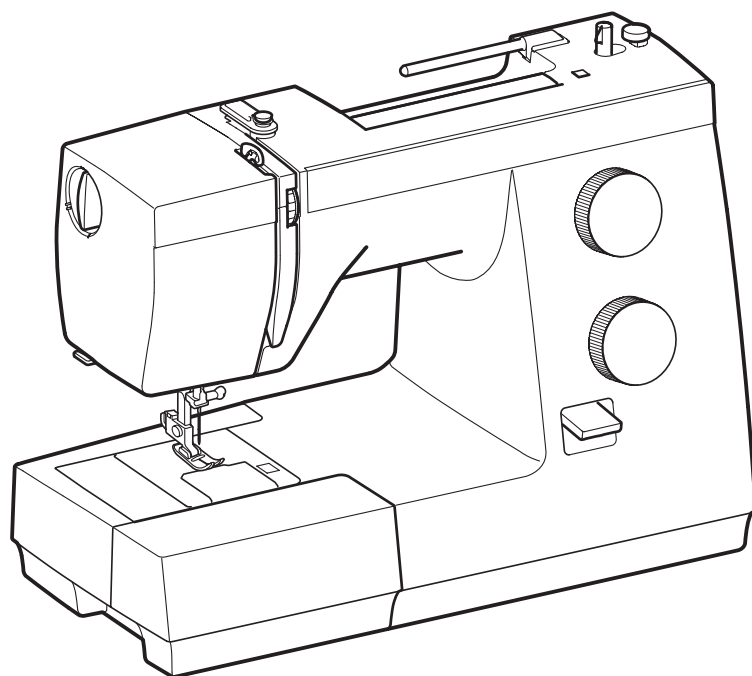


INSTRUCTION BOOK



IMPORTANT SAFETY INSTRUCTIONS

When using an electrical appliance, basic safety precautions should always be followed, including the following:

This sewing machine is designed and manufactured for household use only.
Read all instructions before using this sewing machine.

DANGER — To reduce the risk of electric shock:

1. An appliance should never be left unattended when plugged in. Always unplug this sewing machine from the electric outlet immediately after using and before cleaning.

WARNING — To reduce the risk of burns, fire, electric shock, or injury to persons:

1. Do not allow to be used as a toy. Close attention is necessary when this sewing machine is used by or near children.
2. Use this appliance only for its intended use as described in this owner's manual. Use only attachments recommended by the manufacturer as contained in this owner's manual.
3. Never operate this sewing machine if it has a damaged cord or plug, if it is not working properly, if it has been dropped or damaged, or dropped into water. Return this sewing machine to the nearest authorized dealer or service center for examination, repair, electrical or mechanical adjustment.
4. Never operate the appliance with any air opening blocked. Keep ventilation openings of this sewing machine and foot controller free from accumulation of lint, dust and loose cloth.
5. Never drop or insert any object into any opening.
6. Do not use outdoors.
7. Do not operate where aerosol (spray) products are being used or where oxygen is being administered.
8. To disconnect, turn all controls to the off ("O") position, then remove plug from outlet.
9. Do not unplug by pulling on cord. To unplug, grasp the plug, not the cord.
10. Keep fingers away from all moving parts. Special care is required around the sewing machine needle and/or cutting blade.
11. Always use the proper needle plate. The wrong plate can cause the needle to break.
12. Do not use bent needles.
13. Do not pull or push fabric while stitching. It may deflect the needle causing it to break.
14. Switch this sewing machine off ("O") when making any adjustment in the needle area, such as threading the needle, changing the needle, threading the bobbin or changing the presser foot, and the like.
15. Always unplug this sewing machine from the electrical outlet when removing covers, lubricating, or when making any other adjustments mentioned in this owner's manual.

SAVE THESE INSTRUCTIONS

For Europe only:

This appliance can be used by children aged from 8 years and above and persons with reduced physical, sensory or mental capabilities or lack of experience and knowledge if they have been given supervision or instruction concerning use of the appliance in a safe way and understand the hazards involved. Children shall not play with the appliance. Cleaning and user maintenance shall not be made by children without supervision.

For outside Europe (except U.S.A. and Canada):

This appliance is not intended for use by persons (including children) with reduced physical, sensory or mental capabilities, or lack of experience and knowledge, unless they have been given supervision or instruction concerning use of the appliance by a person responsible for their safety. Children should be supervised to ensure that they do not play with the appliance.



Please note that on disposal, this product must be safely recycled in accordance with relevant National legislation relating to electrical/electronic products. If in doubt please contact your retailer for guidance. (European Union only)

TABLE OF CONTENTS

ESSENTIAL PARTS

Names of Parts.....	2
Standard Accessories.....	3
Accessory storage.....	3
Extension Table.....	4
Free-arm sewing.....	4

GETTING READY TO SEW

Connecting the Power Supply.....	5
Controlling the Sewing Speed.....	5
Reverse Stitch Lever.....	6
Foot Pressure Dial.....	6
Dropping the Feed Dog.....	6
Raising and Lowering the Presser Foot.....	7
Changing the Presser Foot.....	7
Removing and Attaching the Foot Holder.....	8
Changing Needles.....	8-9
Needle and Thread Chart.....	9
Winding the Bobbin.....	10-12
Setting the spool.....	10
Removing the bobbin.....	10
Winding the bobbin.....	11
Inserting the bobbin.....	12
Threading the Machine.....	13
Drawing up the Bobbin Thread.....	14
Selecting the Stitch Pattern.....	15
Stitch pattern selector dial.....	15
Stitch Length Adjusting Dial.....	15
Balancing Needle Thread Tension.....	16

BASIC SEWING

Straight Stitch Sewing.....	17-18
Finishing sewing.....	17
Changing the sewing direction.....	17
Seam guides on the needle plate.....	18
Turning a square corner.....	18

UTILITY STITCHES

Basic Zigzag.....	19
Overcasting.....	19
Tricot Stitch (Multiple Zigzag Stitch).....	20
Button Sewing.....	21
4-Step Buttonhole.....	22-23
Corded Buttonhole.....	24
Zipper Application.....	25-27
Blind Hemming.....	28
Pin Tucking.....	29
Shell Tucking.....	29
Fagoting.....	30
Patchwork.....	30
Appliqué.....	31

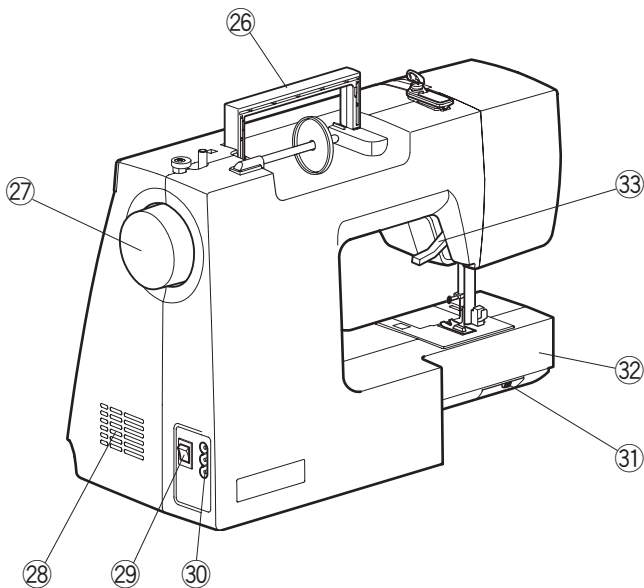
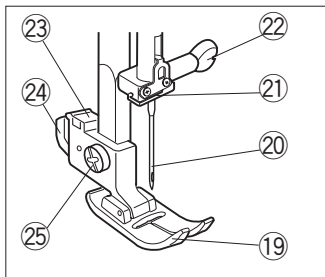
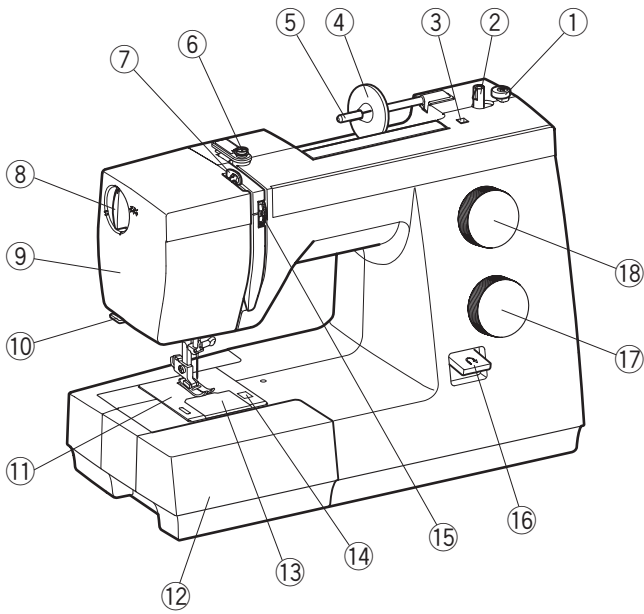
CARE AND MAINTENANCE

Cleaning the Hook Race and Feed Dog.....	32
Replacing the Bobbin Holder.....	33
Troubleshooting.....	34-35

ESSENTIAL PARTS

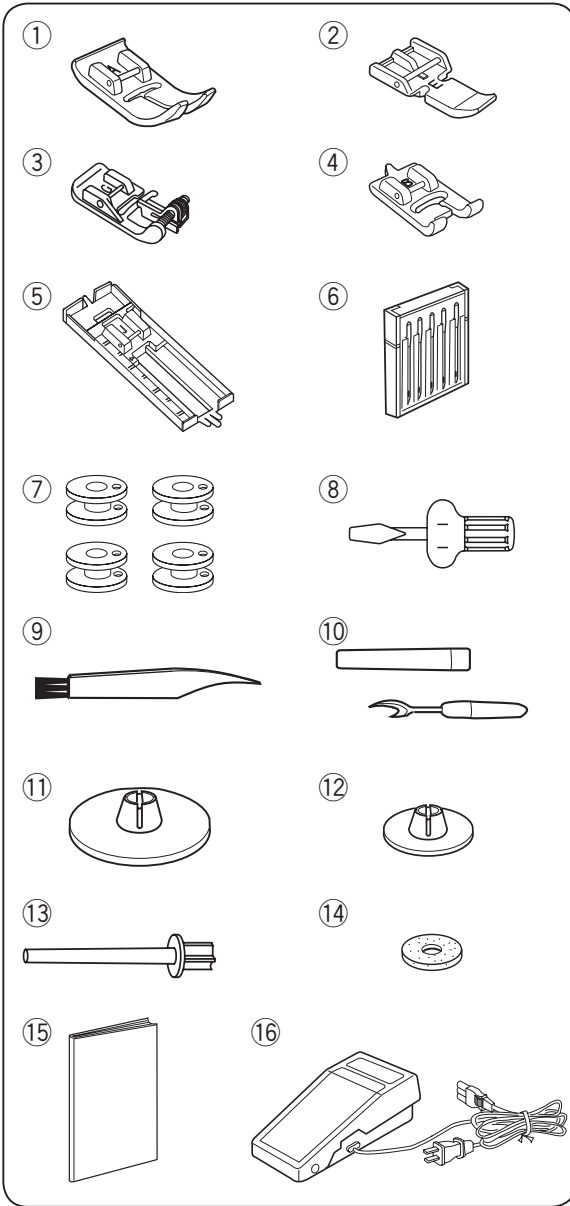
Names of Parts

- ① Bobbin winder stopper
- ② Bobbin winder spindle
- ③ Hole for extra spool pin
- ④ Spool holder
- ⑤ Spool pin
- ⑥ Bobbin winding tension disc
- ⑦ Thread take-up lever
- ⑧ Foot pressure dial
- ⑨ Face plate
- ⑩ Thread cutter
- ⑪ Needle plate
- ⑫ Extension table (Accessory storage)
- ⑬ Hook cover plate
- ⑭ Hook cover plate release button
- ⑮ Thread tension dial
- ⑯ Reverse stitch lever
- ⑰ Stitch length adjusting dial
- ⑱ Stitch pattern selector dial
- ⑲ Presser foot
- ⑳ Needle
- ㉑ Needle bar thread guide
- ㉒ Needle clamp screw
- ㉓ Foot holder
- ㉔ Lever
- ㉕ Setscrew
- ㉖ Carrying handle
- ㉗ Handwheel
- ㉘ Ventilation openings
- ㉙ Power switch
- ㉚ Machine socket
- ㉛ Drop feed lever
- ㉜ Free-arm
- ㉝ Foot lifter



NOTE:

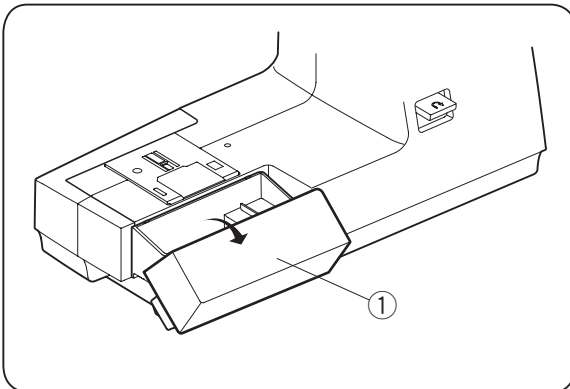
- To carry the sewing machine, hold the carrying handle with your hand, and support the sewing machine with the other hand.
- Design and specifications are subject to change without prior notice.



Standard Accessories

- ① Zigzag foot A (set on the machine)
- ② Zipper foot E
- ③ Blind hemming foot G
- ④ Buttonhole foot B
- ⑤ Sliding buttonhole J
- ⑥ Needle set
- ⑦ Bobbin x4 (1 set on the machine)
- ⑧ Screwdriver
- ⑨ Lint brush
- ⑩ Seam ripper (buttonhole opener)
- ⑪ Spool holder (large) (set on the machine)
- ⑫ Spool holder (small)
- ⑬ Extra spool pin
- ⑭ Felt cushion
- ⑮ Instruction book
- ⑯ Foot control

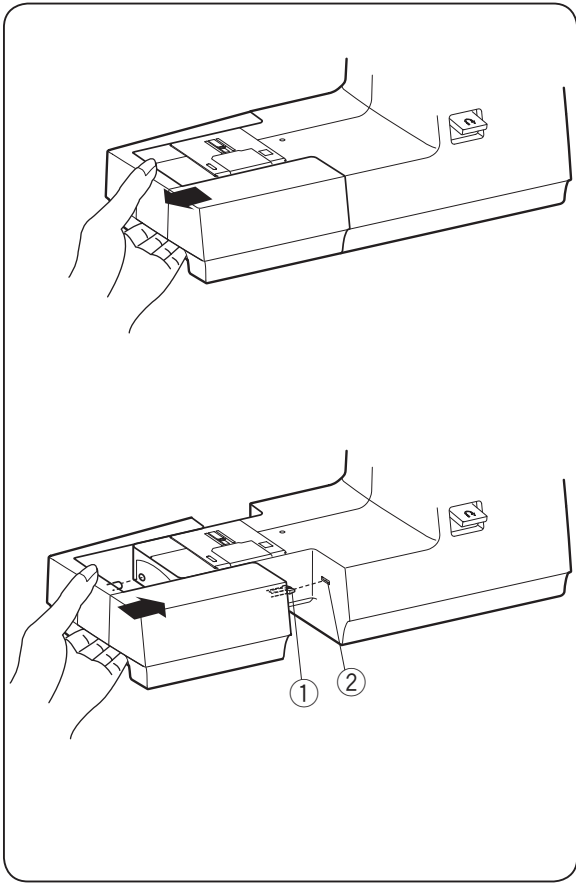
* The foot control included may differ from the illustration.



Accessory storage

Accessories are stored the extension table. Pull lid towards you to open the accessory storage.

- ① Accessory storage



Extension Table

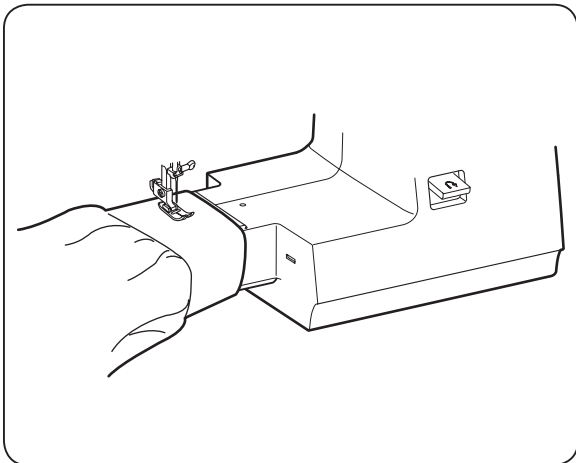
To detach:

Pull the extension table to the left.

To attach:

Push the extension table, inserting the tab into the slot until the table snaps into the machine.

- ① Tab
- ② Slot



Free-arm sewing

Free-arm sewing is used for stitching sleeves, waistbands, pant legs or any other tubular garments.

It is also useful for darning socks or mending knees or elbows.

GETTING READY TO SEW

Connecting the Power Supply

- 1 Turn the power switch off.
- 2 Insert the machine plug into the machine socket.
- 3 Insert the power supply plug into the wall outlet.
- 4 Turn the power switch on.
 - ① Power switch
 - ② Machine plug
 - ③ Machine socket
 - ④ Power supply plug
 - ⑤ Wall outlet

NOTE:

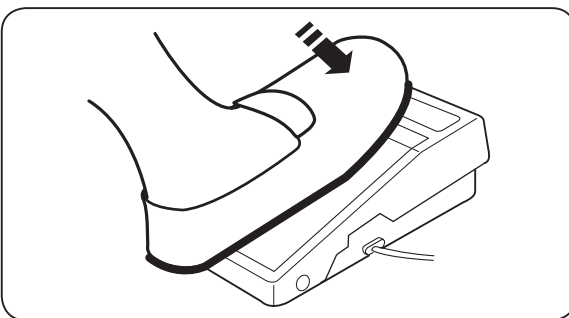
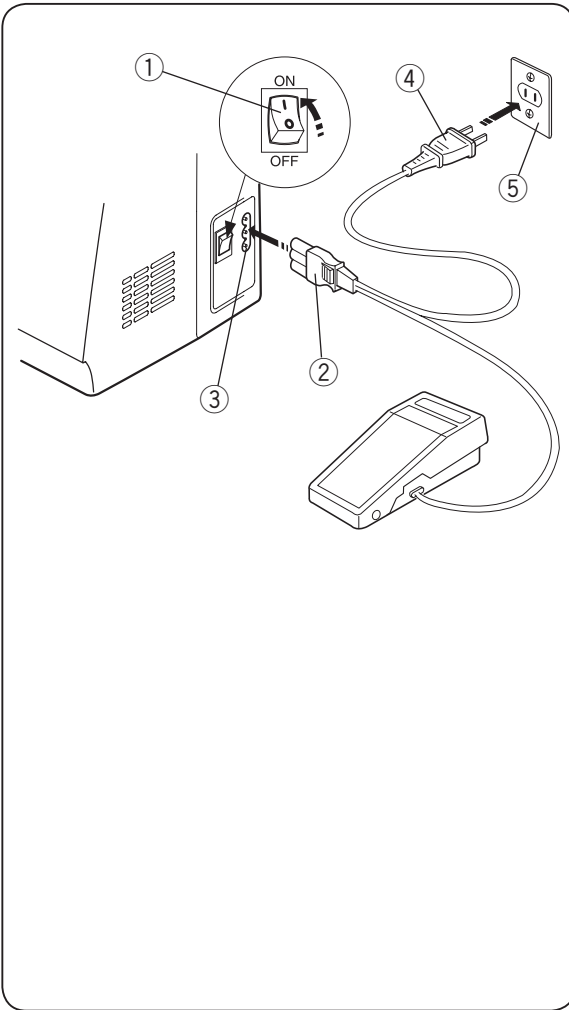
Before connecting to the power supply, make sure the voltage shown on the machine conforms to your electrical power.

⚠ WARNING:

While in operation, always keep your eyes on the sewing area, and do not touch any moving parts such as the thread take-up lever, handwheel or needle. Always turn off the power switch and unplug from the power supply:

- when leaving the machine unattended.
- when attaching or removing parts.
- when cleaning the machine.

Do not place anything on the foot control, otherwise the machine will run intermittently.



Controlling the Sewing Speed

Foot control

Sewing speed can be varied by the foot control. The harder you depress the foot control, the faster the machine runs.

Operating Instructions:

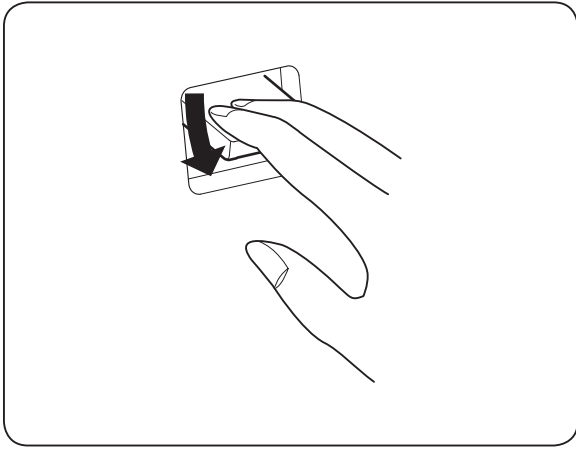
The symbol "O" of a switch indicates the "off" position of a switch.

For the U.S.A. and Canada only:

For an appliance with a polarized plug (one blade wider than the other):

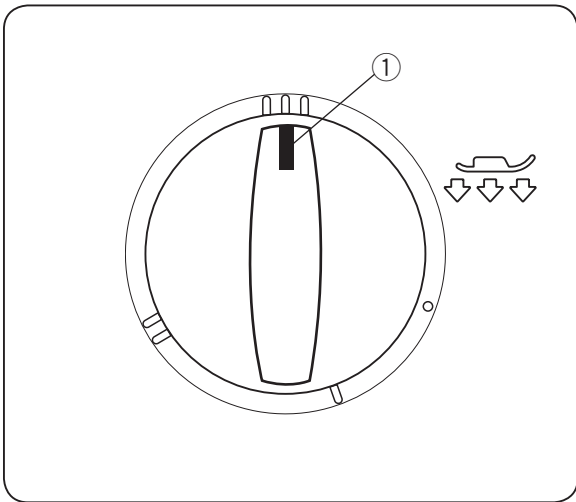
To reduce the risk of electrical shock, this plug is intended to fit in a polarized outlet only one way. If it does not fit fully in the outlet, reverse the plug. If it still does not fit, contact a qualified electrician to install the proper outlet. Do not modify the plug in any way.

The foot controller Model YC-482J or YC-168S is used with this sewing machine.






Reverse Stitch Lever

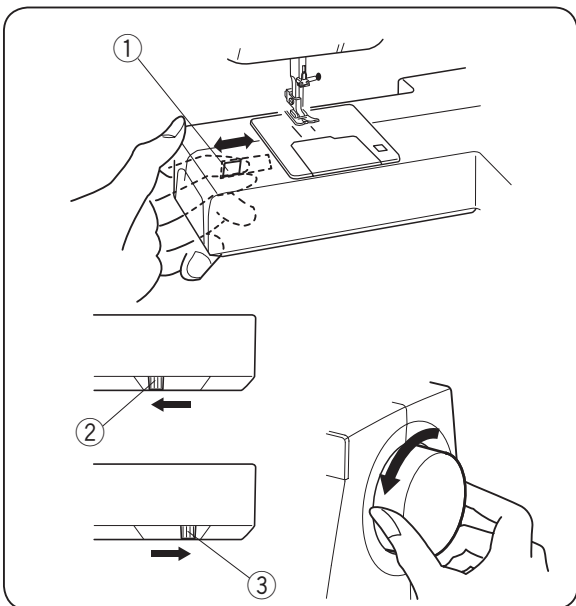
Push the reverse stitch lever down to sew in reverse.
The machine will sew in reverse while the lever is pushed.



Foot Pressure Dial

Turn the foot pressure dial to adjust the foot pressure.
The foot pressure dial should be set at “” (3) for regular sewing.
Reduce the pressure to “” (2) for appliqué, cutwork, drawn work and basting.
Set the setting mark at “” (1) when sewing chiffon, lace, organdy and other fine fabrics.

① Setting mark



Dropping the Feed Dog

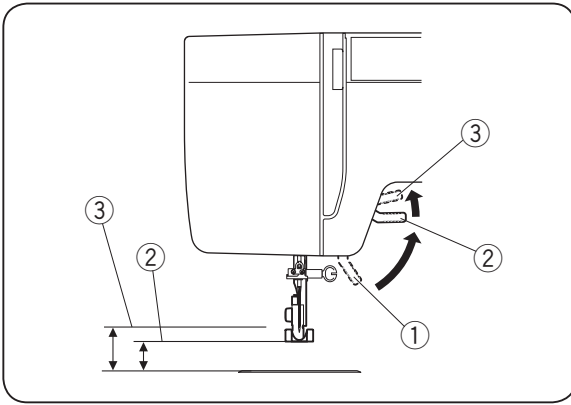
The drop feed lever is located underneath the free-arm bed on the backside of the machine.

To drop the feed dog, push the lever in the direction of the arrow ②, as illustrated.

To raise the feed dog, push the lever in the direction of the arrow ③, as illustrated, and turn the handwheel toward you.

The feed dog must be up for regular sewing.

- ① Drop feed lever
- ② Lowered position
- ③ Raised position

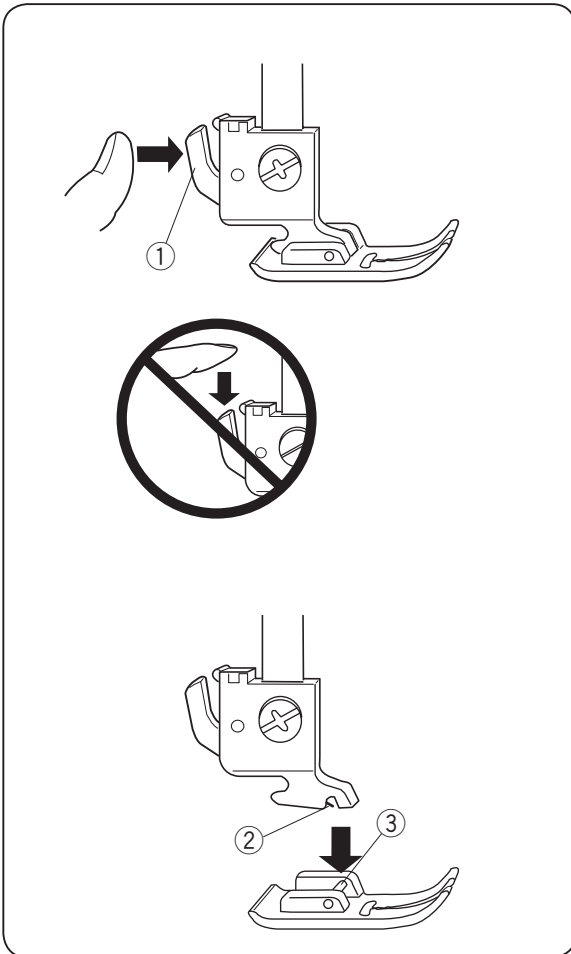


Raising and Lowering the Presser Foot

The presser foot lifter raises and lowers the presser foot.

You can raise the foot about 1/4" (0.6 cm) higher than the normal up position for easy removal of the presser foot, or to help you place heavy fabric under the foot.

- ① Lowered position
- ② Normal up position
- ③ Extra up position



Changing the Presser Foot

To remove:

Raise the needle to its highest position by turning the handwheel counterclockwise. Raise the presser foot, and press the lever on the back of the foot holder.

- ① Lever

⚠ CAUTION:

Turn OFF the power switch before changing the foot.

Always use the proper foot for the selected pattern.

The wrong foot can cause the needle to break.

Do not push the lever down to prevent it from being broken.

To attach:

Place the desired presser foot, so that the pin on the foot lies just under the groove on the foot holder. Lower the presser foot lifter to lock the foot in place.

- ② Groove
- ③ Pin

Removing and Attaching the Foot Holder

WARNING:

Turn OFF the power switch before detaching or attaching the foot holder.

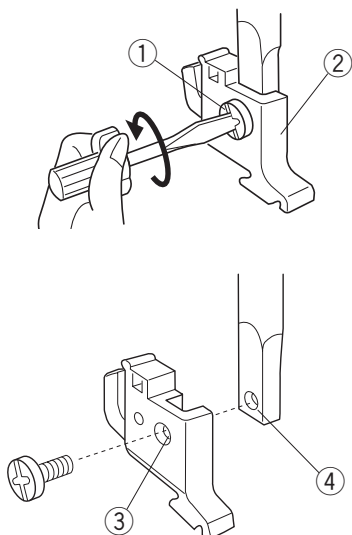
To remove:

Remove the setscrew by turning it counterclockwise with a screwdriver and remove the foot holder.

To attach:

Match the hole in the foot holder with the threaded hole in the presser bar. Fit the setscrew into the hole. Tighten the screw by turning it clockwise with a screwdriver.

- ① Setscrew
- ② Foot holder
- ③ Hole
- ④ Threaded hole



Changing Needles

CAUTION:

Always make sure to turn the power switch off and disconnect the machine from power supply before changing the needle.

Raise the needle by turning the handwheel and lower the presser foot.

Turn off the power switch.

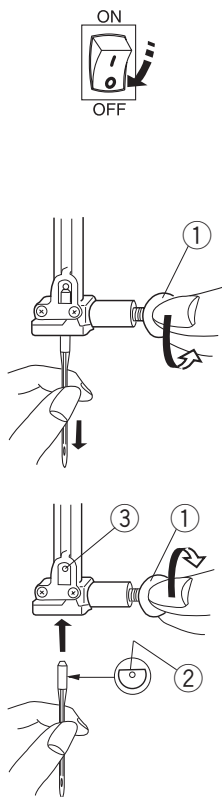
- 1 Loosen the needle clamp screw by turning it counterclockwise.

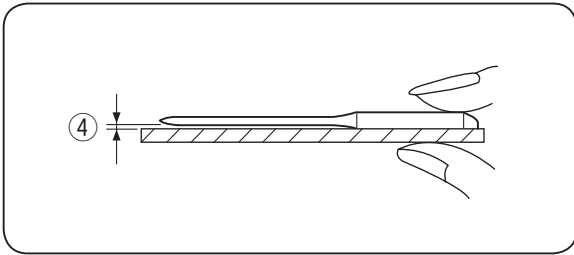
Remove the needle from the clamp.

- ① Needle clamp screw

- 2 Insert a new needle into the needle clamp with the flat side of the needle to the rear. When inserting the needle into the needle clamp, push it up against the stopper pin and tighten the needle clamp screw firmly.

- ① Needle clamp screw
- ② Flat side
- ③ Stopper pin





To check needle straightness, place the flat side of the needle onto something flat (a needle plate, glass etc.) The gap between the needle and the flat surface should be consistent. Never use a blunt needle.

④ Gap

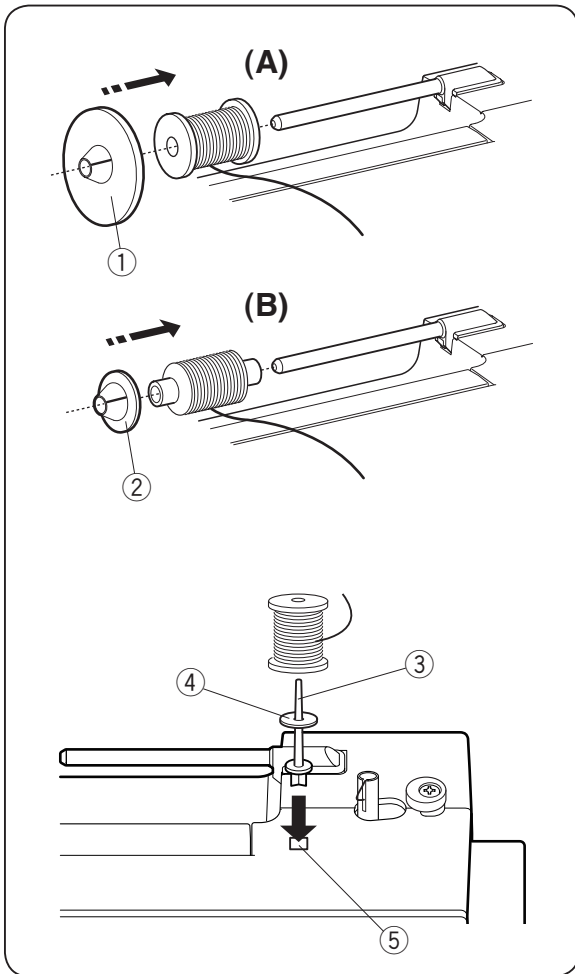
Needle and Thread Chart

- For general sewing, use needle size 11/75 or 14/90.
- A fine thread and needle should be used for sewing lightweight fabrics, so the fabric will not be marred.
- Heavy fabrics require a needle large enough to pierce the fabric without fraying the needle thread.
- Always test the needle size on a small scrap of the fabric that will be used for actual sewing.
- In general, use the same thread for the needle and bobbin.
- When sewing stretch fabrics, very fine fabrics and synthetics, use a blue tip needle.
- The blue tip needle effectively prevents skipped stitches.

	Fabric	Thread	Needle
Fine	Lawn Georgette Tricot Organza Crepe	Silk #80-100 Cotton #80-100 Synthetic #80-100	#9/65-11/75 Blue tip needle
Medium	Sheeting Jersey Broadcloth Fleece	Silk #50 Cotton #50-80 Synthetic #50-80	#11/75-14/90
Heavy weight	Denim Tweed Coating Quilting	Silk #30-50 Cotton #40-50 Synthetic #40-50	#14/90-16/100

NOTE:

1 x blue tip needles (#11/75), 2 x #11/75 needles and 2 x #14/90 needles are included in the needle case (Part No. 540401026).



Winding the Bobbin

Setting the spool

Place a spool of thread on the spool pin with the thread coming off the spool as illustrated.

A: Press the large spool holder firmly against the spool of thread.

① Large spool holder

B: For a small spool, use the small spool holder.

② Small spool holder

Extra spool pin

The extra spool pin is for bobbin winding without unthreading the machine.

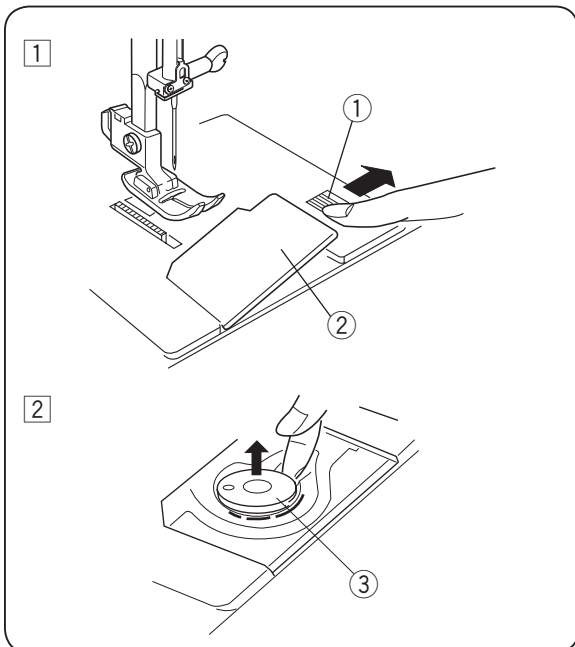
Insert the extra spool pin into the hole.

Place the felt and a spool on the pin.

③ Extra spool pin

④ Spool pin felt

⑤ Spool pin hole



Removing the bobbin

1 Push the hook cover plate release button to the right and remove the cover plate.

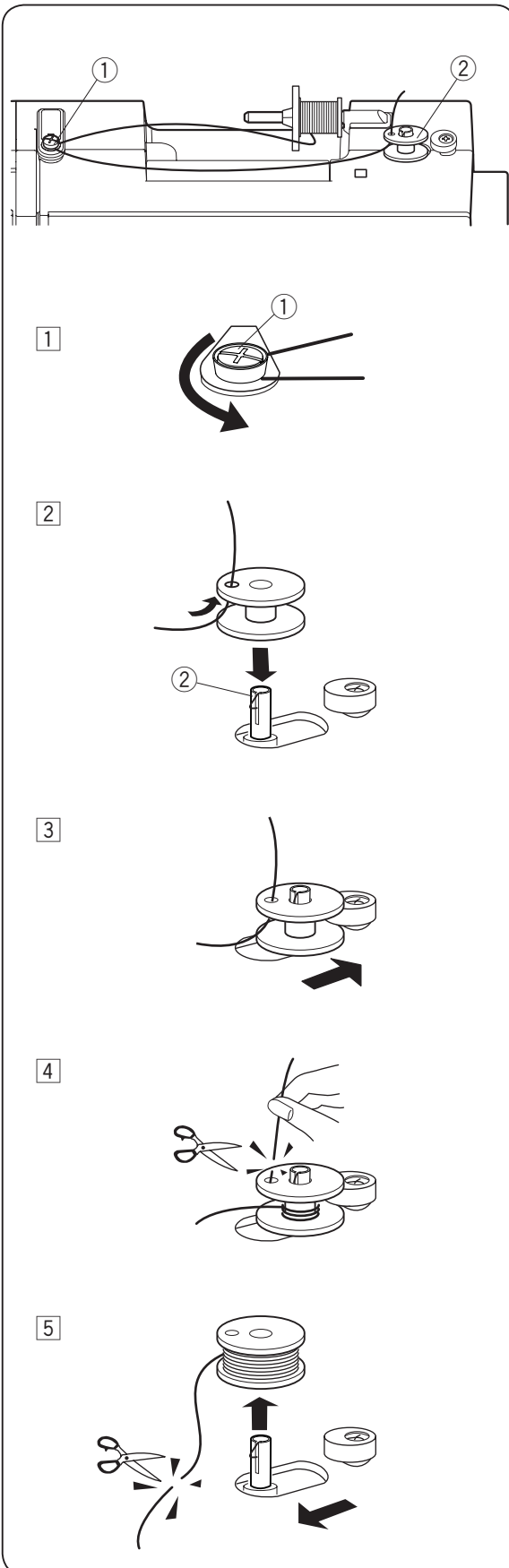
① Hook cover plate release button

② Hook cover plate

2 Lift out the bobbin.

③ Bobbin

Winding the bobbin



- 1 Draw the thread from the spool. Guide the thread around the bobbin winding tension disc.

① Bobbin winding tension disc

- 2 Thread through the hole in the bobbin from the inside to the outside. Put the bobbin on the bobbin winder spindle with the free end of the thread coming out at the top.

② Bobbin winder spindle

- 3 Push the bobbin to the right.

NOTE:

Do not move the bobbin winder spindle while the machine is running.

- 4 With the free end of the thread held in your hand, depress the foot control. Stop the machine when the bobbin has been wound a few layers, and cut the thread close to the bobbin.

- 5 Depress the foot control again. When the bobbin is fully wound, it will stop automatically. Return the bobbin winder to its original position by moving the spindle to the left, and cut the thread as illustrated.

Inserting the bobbin

- 1 Place the bobbin in the bobbin holder with the thread running off as illustrated.

① Thread

- 2 Guide the thread into the front notch on the front side of the bobbin holder. Draw the thread to the left, sliding it between the tension spring blades.

② Front notch

③ Tension spring blade

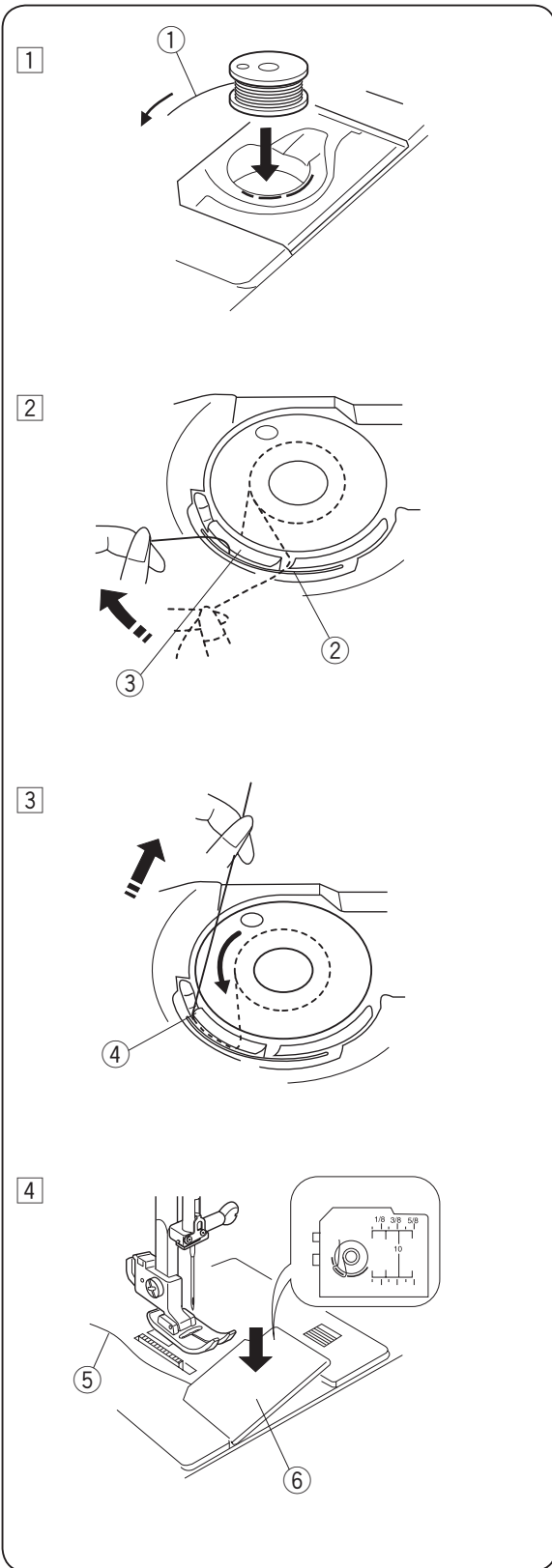
- 3 Continue to draw the thread lightly until the thread slips into the side notch.

④ Side notch

- 4 Pull out about 4" (10 cm) of thread. Attach the hook cover plate. Check the threading by referring to the chart shown on the hook cover plate.

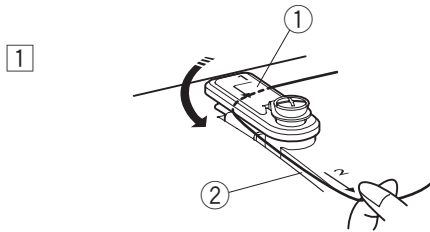
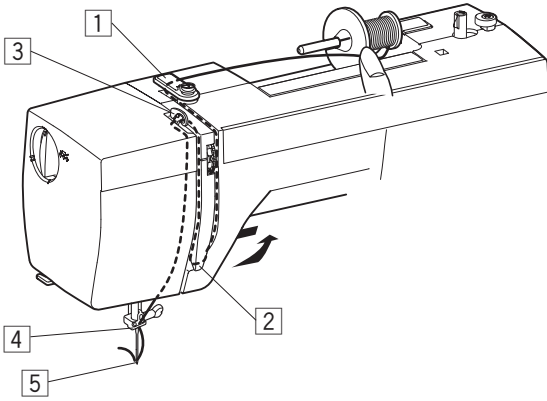
⑤ Thread

⑥ Hook cover plate



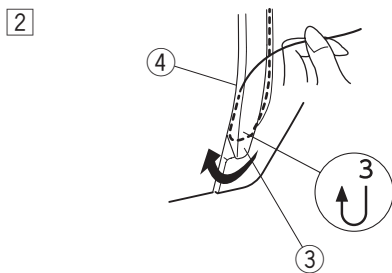
Threading the Machine

Raise the thread take-up lever to the highest position by turning the handwheel toward you. Raise the presser foot.



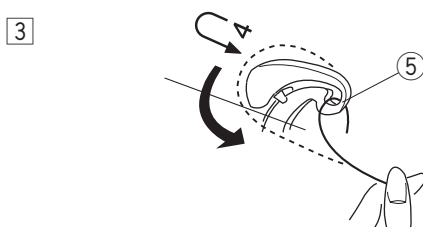
- 1 Draw the thread from the spool and pass it under the upper thread guide. Then draw it down along the right channel.

- ① Upper thread guide
- ② Right channel



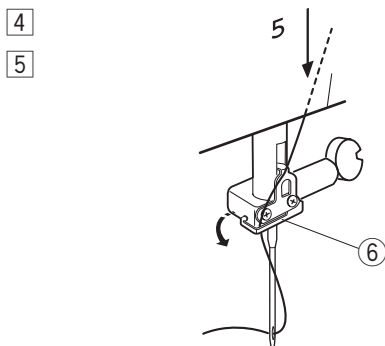
- 2 Draw the thread up around the bottom of the thread guide plate. Pull the thread up along the left channel.

- ③ Thread guide plate
- ④ Left channel



- 3 Firmly draw the thread from right to left over the thread take-up lever and down into the take-up lever eye.

- ⑤ Thread take-up lever



- 4 Draw the thread down along the left channel and slip the thread behind the needle bar thread guide from the left.

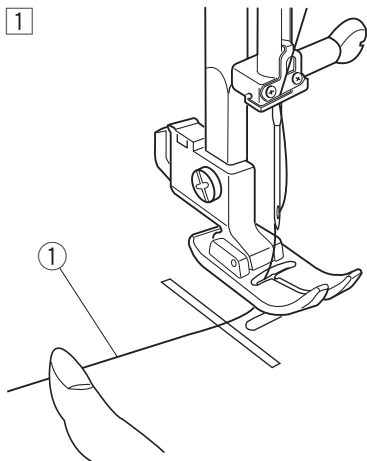
- ⑥ Needle bar thread guide

- 5 Pass the thread through the needle eye from the front to the back.

Drawing up the Bobbin Thread

1 Raise the presser foot and hold the needle thread lightly with your left hand.

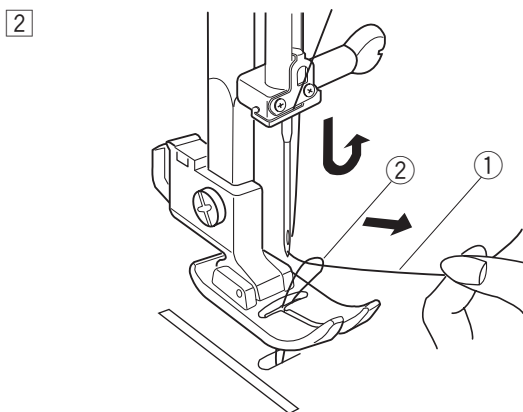
① Needle thread



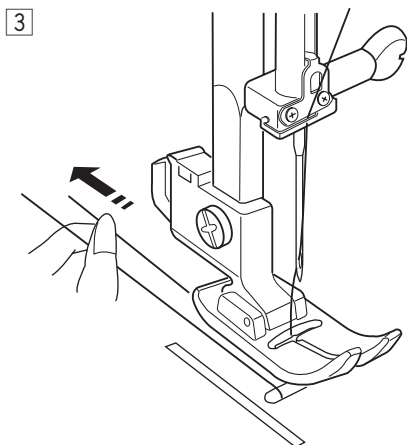
2 Turn the handwheel slowly toward you one complete turn. Bring the bobbin thread up by pulling the needle thread as illustrated.

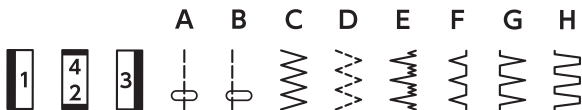
① Needle thread

② Bobbin thread



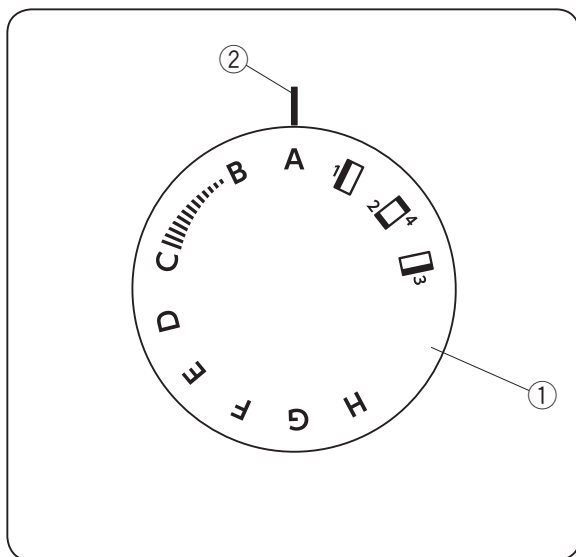
3 Pull 4" (10 cm) of both threads back and under the presser foot.





Selecting the Stitch Pattern

Turn the handwheel to raise the needle at its highest position.



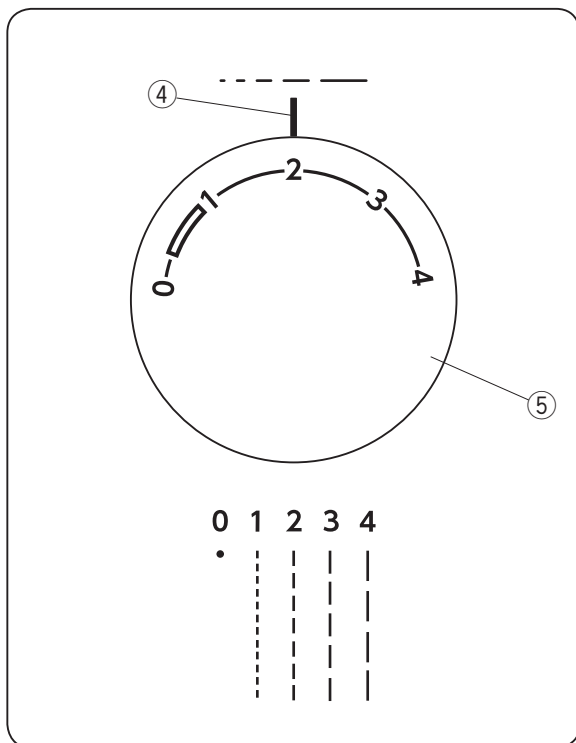
Stitch pattern selector dial

Turn the stitch pattern selector dial to set the symbol of the desired stitch pattern at the setting mark.


- ① Stitch pattern selector dial
- ② Setting mark

CAUTION:

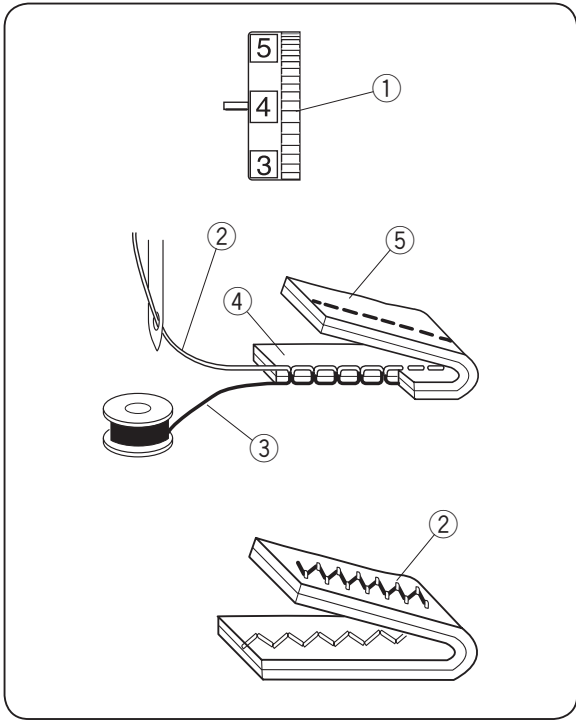
Do not turn the stitch pattern selector dial while the needle is in the fabric, otherwise the needle may bend or break.



Stitch Length Adjusting Dial

Turn the stitch length adjusting dial to set the desired stitch length number at the setting mark. The higher the number, the longer the stitch. The “” mark shows the adjustment range when sewing the buttonhole.

- ④ Setting mark
- ⑤ Stitch length adjusting dial



Balancing Needle Thread Tension

The thread tension should be adjusted depending on the sewing materials, layers of fabric and sewing method.

To adjust the thread tension, turn the thread tension dial.

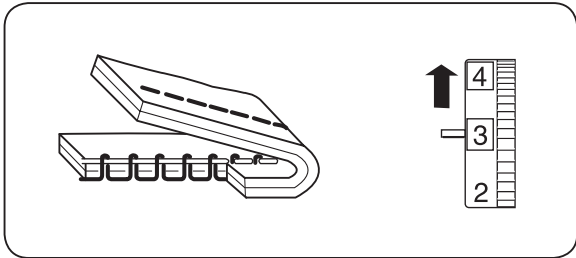
- ① Thread tension dial

Balanced tension:

The ideal straight stitch has threads locked between two layers of fabric, as illustrated.

For an ideal zigzag stitch, the bobbin thread does not show on the right side (top side) of the fabric, and the needle thread shows slightly on the wrong side (bottom side) of the fabric.

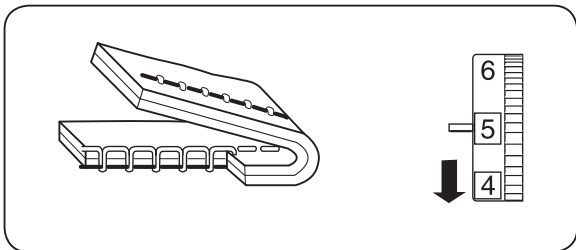
- ② Needle thread (Top thread)
- ③ Bobbin thread (Bottom thread)
- ④ Right side (Top side) of fabric
- ⑤ Wrong side (Bottom side) of fabric



Needle thread tension is too tight:

The bobbin thread (bottom thread) will appear on the right side (top side) of the fabric.

Loosen the needle thread tension by moving the dial to a lower number.



Needle thread tension is too loose:

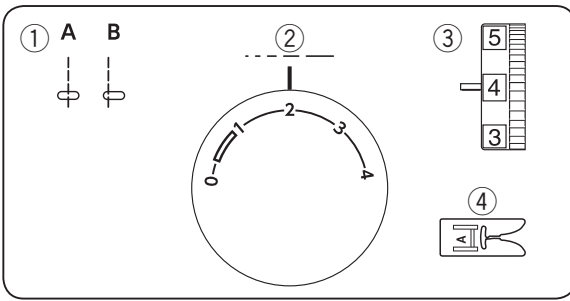
The needle thread (top thread) will form loops on the wrong side (bottom side) of the fabric.

Tighten the needle thread tension by moving the dial to a higher number.

BASIC SEWING

Straight Stitch Sewing

- ① Stitch pattern: A / B
- ② Stitch length: 1.5 – 4
- ③ Thread tension: 2 – 6
- ④ Presser foot: Zigzag foot A



Starting to sew

Raise the presser foot and place the fabric under the foot.

Lower the needle into the fabric.

Lower the presser foot and smooth the threads toward the back. Depress the foot control.

NOTE:

Draw the threads to the left when sewing with the buttonhole foot B or sliding buttonhole J.

To fasten the beginning of the seam, first sew several stitches in reverse then sew forward.

Finishing sewing

Press the reverse stitch lever and sew several stitches in reverse at the end of the seam.

Raise the presser foot and remove the fabric, drawing the threads to the back.

Draw the threads up and into the thread cutter. The threads are cut the proper length for starting the next seam.

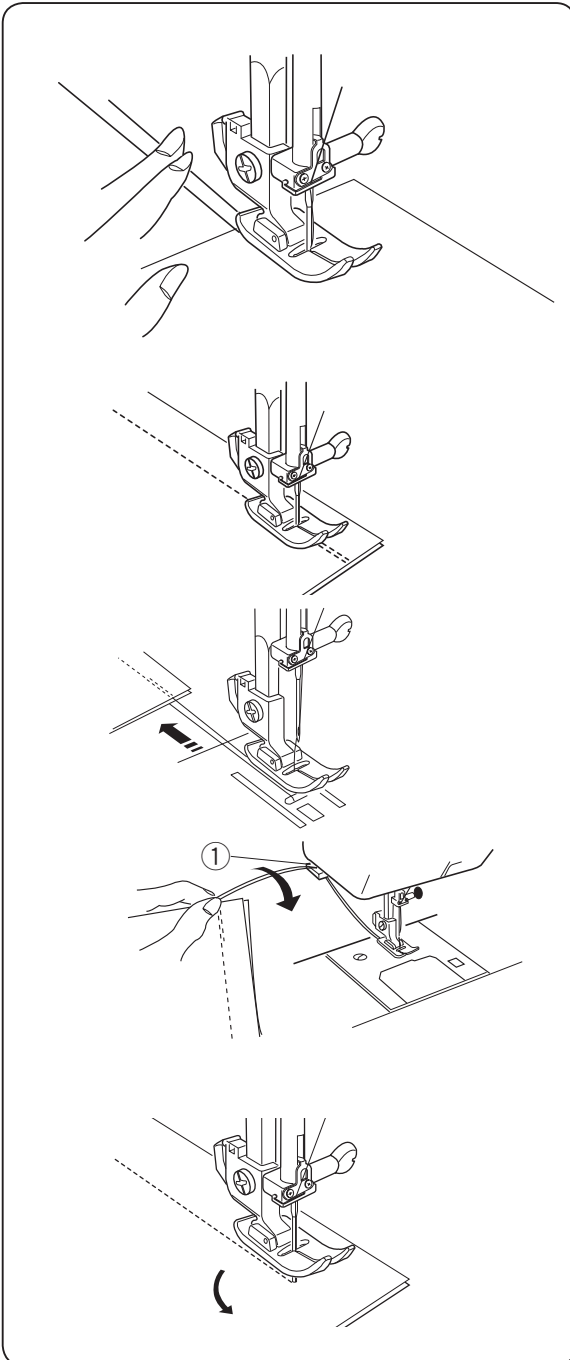
- ① Thread cutter

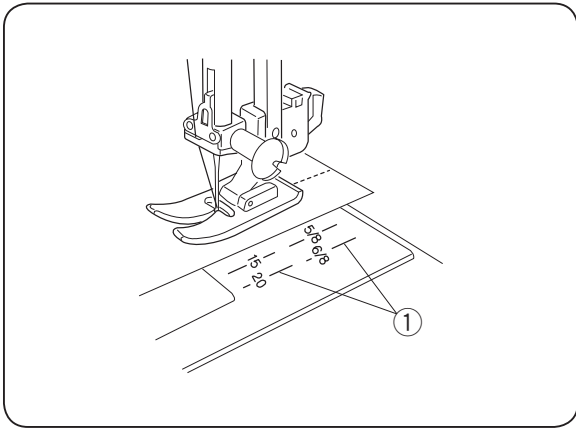
Changing the sewing direction

Stop the machine and turn the handwheel toward you to bring the needle down into the fabric.

Raise the presser foot.

Pivot the fabric around the needle to change sewing direction as desired. Lower the presser foot and continue sewing in the new direction.





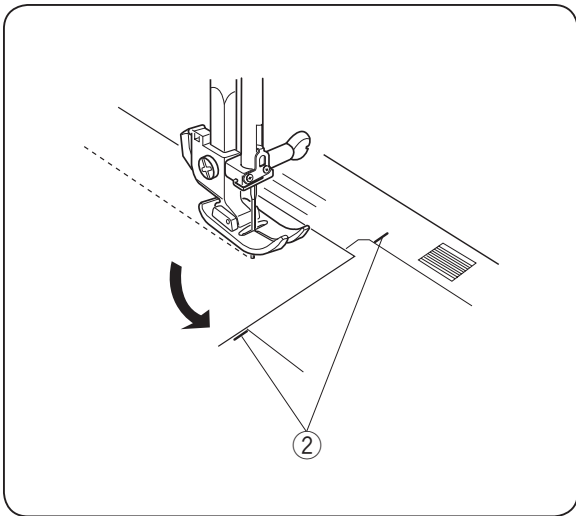
Seam guides on the needle plate

The seam guides on the needle plate help you to measure seam allowance.

The numbers indicate the distance between the center needle position and the seam guide.

① Seam guides

Number	15	20	4/8	5/8	6/8
Spacing (cm)	1.5	2.0	1.3	1.6	1.9
Spacing (inch)	(5/8)	(3/4)	1/2	5/8	3/4



Turning a square corner

The cornering guide helps you maintain a 5/8" (1.6 cm) seam allowance when sewing a corner.

When the fabric edge facing you lines up with the cornering guide as illustrated, stop stitching and lower the needle into the fabric by turning the handwheel toward you.

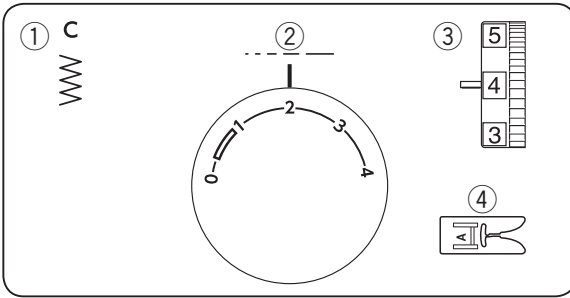
Raise the presser foot and pivot the fabric so the edge of the fabric will align with the 5/8" (1.6 cm) seam guide.

Lower the presser foot and start stitching in the new direction.

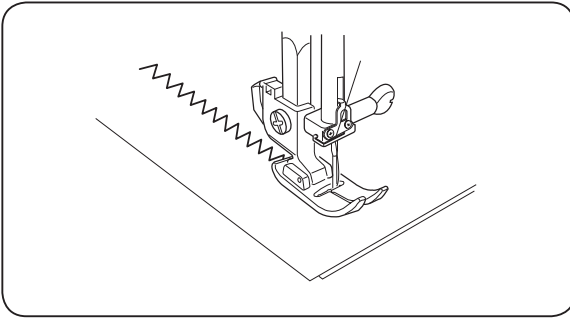
② Cornering guide

UTILITY STITCHES

Basic Zigzag



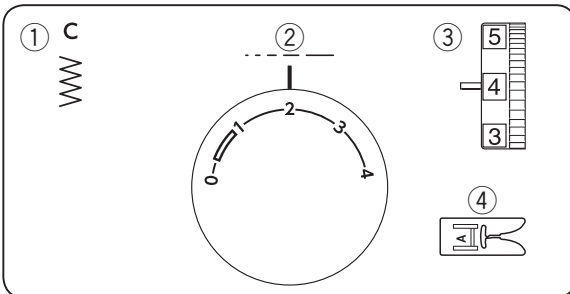
- ① Stitch pattern: C
- ② Stitch length: 0.5 – 3
- ③ Thread tension: 2 – 5
- ④ Presser foot: Zigzag foot A



Simple zigzag stitching is widely used for overcasting, sewing on buttons etc. Adjust the stitch length to suit your sewing needs.

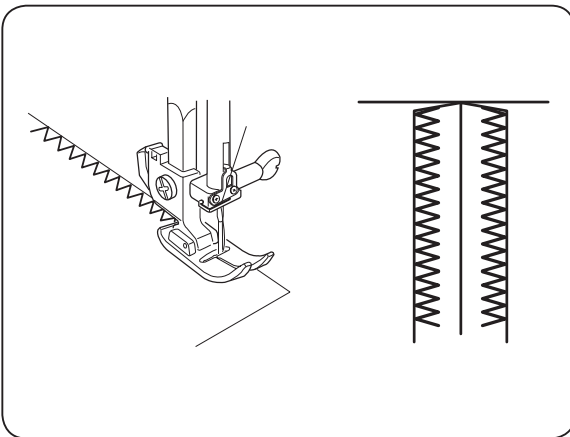
NOTE:

Use a stabilizer for stretch fabrics such as tricot and knits to prevent puckering.

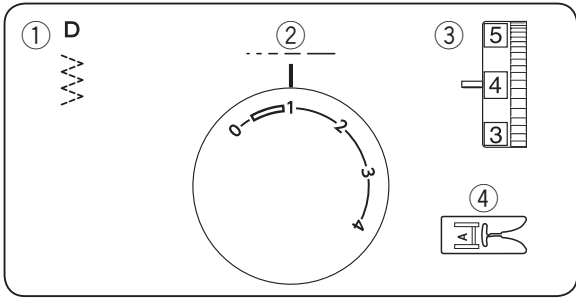


Overcasting

- ① Stitch pattern: C
- ② Stitch length: 1 – 2
- ③ Thread tension: 3 – 7
- ④ Presser foot: Zigzag foot A

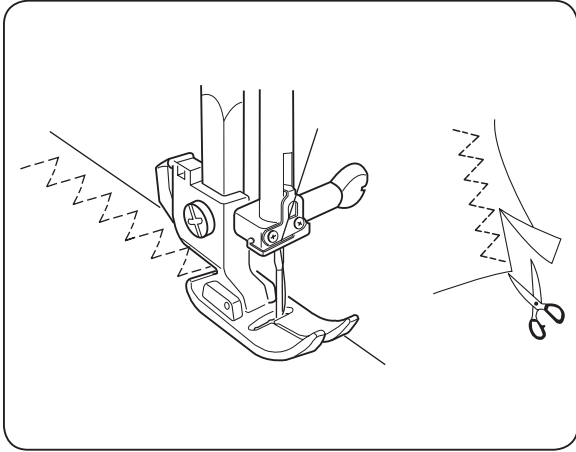


The zigzag stitch is used on the seam allowance to prevent fabric from fraying at raw edges.



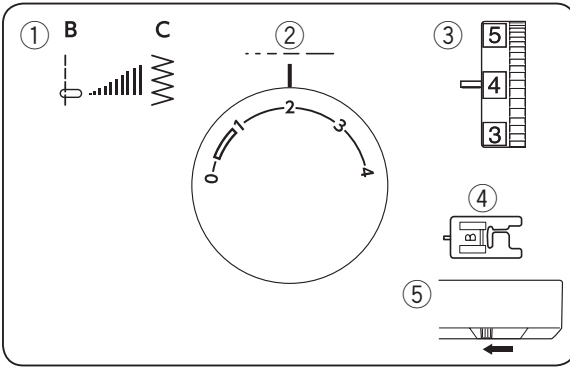
Tricot Stitch (Multiple Zigzag Stitch)

- ① Stitch pattern: D
- ② Stitch length: 0.5 – 1.5
- ③ Thread tension: 3 – 6
- ④ Presser foot: Zigzag foot A



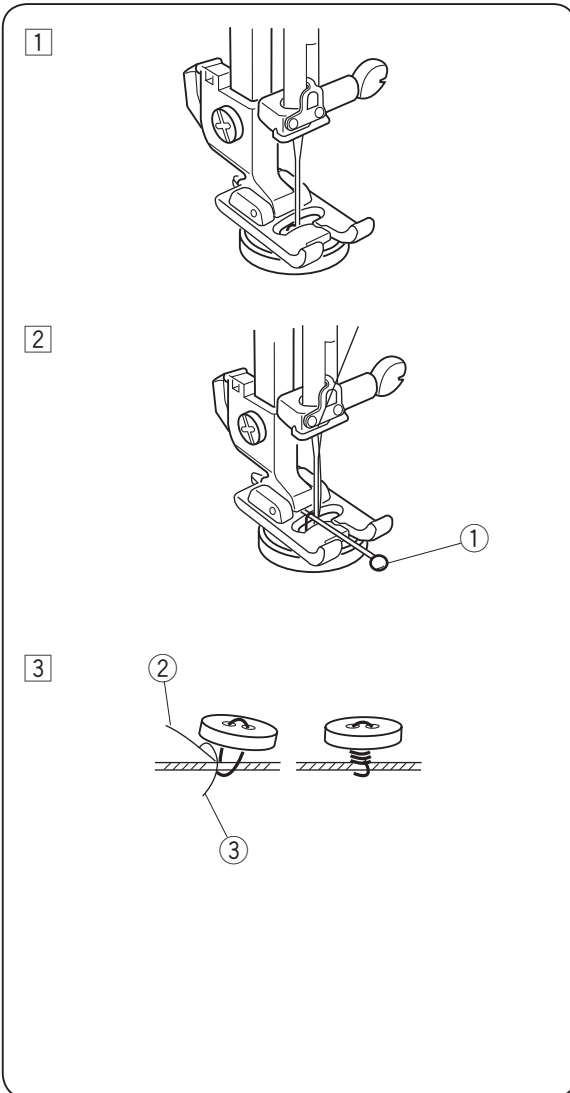
This stitch is used to finish a raw edge on synthetics and other fabrics that tend to pucker. Place the fabric to leave a 5/8" (1.6 cm) allowance.

Trim the extra allowance after sewing. It is also used for mending tears.



Button Sewing

- | | |
|-------------------|--------------------------------|
| ① Stitch pattern: | B – C
(Adjust as necessary) |
| ② Stitch length: | Any |
| ③ Thread tension: | 3 – 7 |
| ④ Presser foot: | Buttonhole foot B |
| ⑤ Feed dog: | Lowered |



- ① Unthread the needle. Adjust the stitch width to match it with the span of the holes in the button. Turn the handwheel to check if the needle enters into each hole in the button. Lower the foot to hold the button in place. The holes in the button should align with the slot of the foot.

- ② A pin can be placed on the foot to form a shank. Make sure to check if the needle enters into both holes in the button.

① Pin

Re-thread the needle and sew about 10 stitches and cut the needle and bobbin threads at the beginning.

- ③ Raise the presser foot and remove the fabric. Cut the needle and bobbin threads leaving 8" (20 cm) tails.

Bring the needle thread between the button and fabric through the holes in the button. Pull the needle thread to pick bobbin thread up to the right side of the fabric.

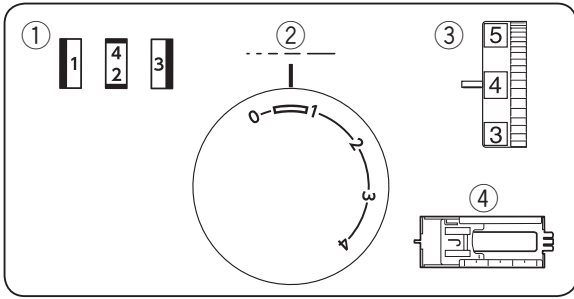
Wind the threads to from a shank and tie them together.

② Needle thread

③ Bobbin thread

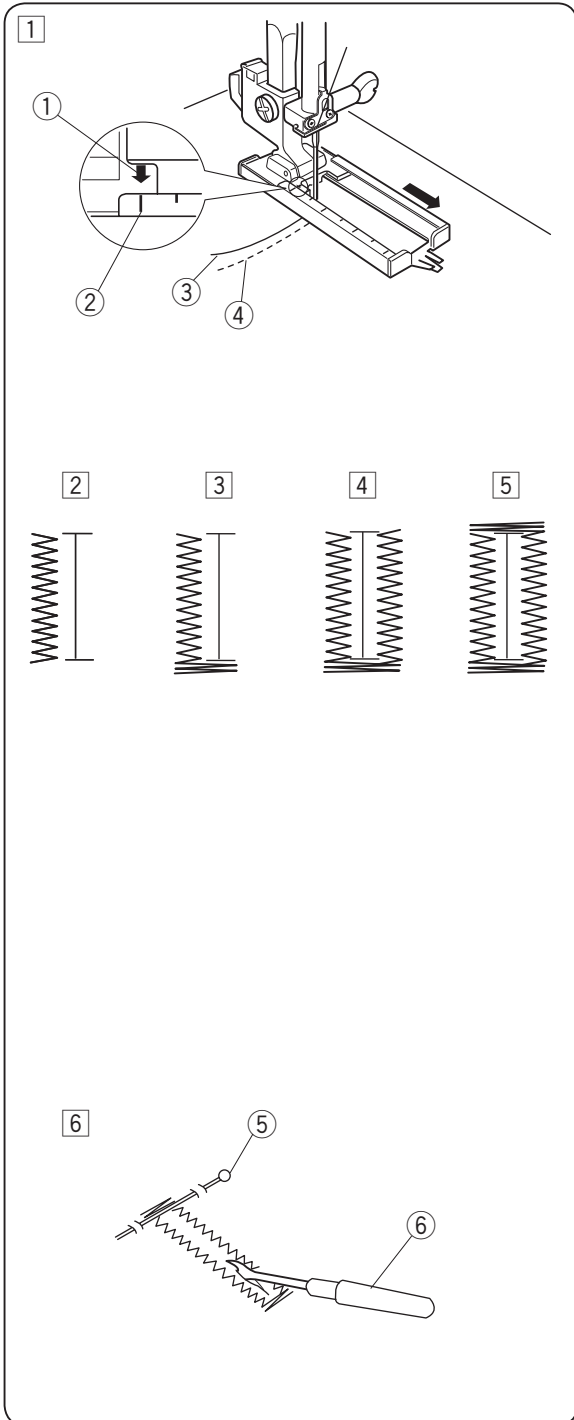
NOTE:

Raise the feed dog after sewing.



4-Step Buttonhole

- ① Stitch pattern: 1 4 3
- ② Stitch length: 0.5 - 1
- ③ Thread tension: 1 - 5
- ④ Presser foot: Sliding buttonhole J

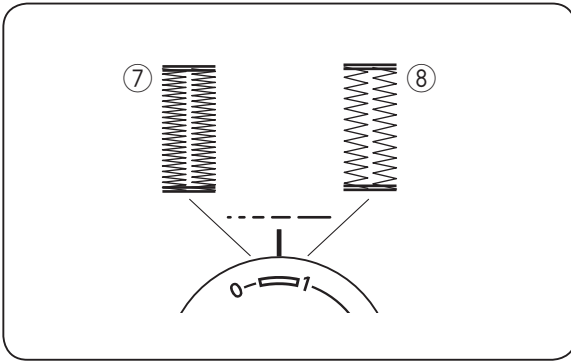


- 1 Set the pattern selector dial at "1". Carefully mark buttonhole length on fabric. Place the fabric under the foot with the buttonhole marking running toward you. Draw both of needle and bobbin thread to the left. Move the slider toward you so that the top mark on the slider meets the start mark.
 - ① Start mark
 - ② Top mark
 - ③ Needle thread
 - ④ Bobbin thread


NOTE:

The scale on the slider is engraved in centimeters.

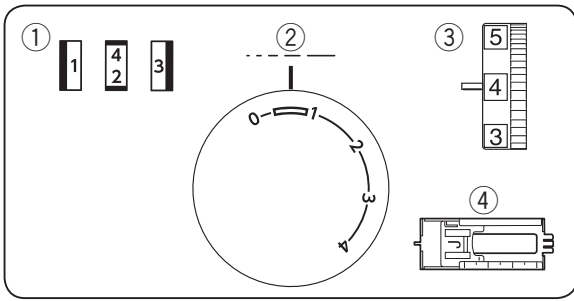
- 2 Sew forward until you reach the front marking of your buttonhole. Stop sewing at a left stitch.
- 3 Raise the needle to its highest position. Set the pattern selector dial at "4/2". Sew 5 stitches, then stop sewing at a right stitch.
- 4 Raise the needle to its highest position. Set the pattern selector dial at "3". Sew until the needle reach the back marking of the buttonhole.
- 5 Raise the needle to its highest position. Set the pattern selector dial at "4/2". Sew 5 stitches, then stop sewing. Set the stitch length dial to "0" and the pattern selector dial at straight sewing. Sew a few locking stitches.
- 6 Raise the needle and presser foot. Remove the fabric from the machine and cut the sewing thread. Insert a pin inside the bartack. Then cut the opening with a seam ripper. Take care not to cut the stitches.
 - ⑤ Pin
 - ⑥ Seam ripper




To adjust buttonhole stitch density:

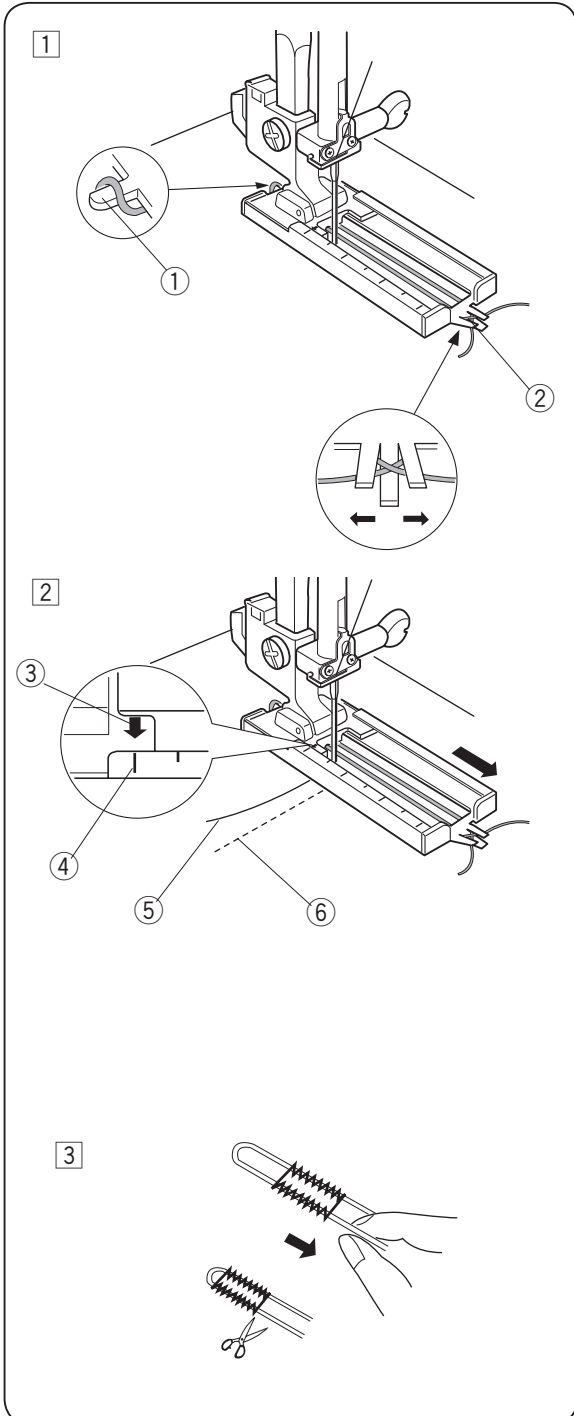
Set the stitch length dial between “  ” to adjust the buttonhole stitch density.

- ⑦ Denser buttonhole
- ⑧ Coarser buttonhole



Corded Buttonhole

- ① Stitch pattern: 
- ② Stitch length: 0.5 - 1
- ③ Thread tension: 1 - 5
- ④ Presser foot: Sliding buttonhole J



- 1 With the buttonhole foot raised, hook the filler cord on the spur at the back of the foot. Bring the ends toward you under the foot, clearing the front end. Hook the filler cord into the forks on the front of the foot to hold them tight.

- ① Spur
- ② Forks

- 2 Draw both of needle and bobbin thread to the left.

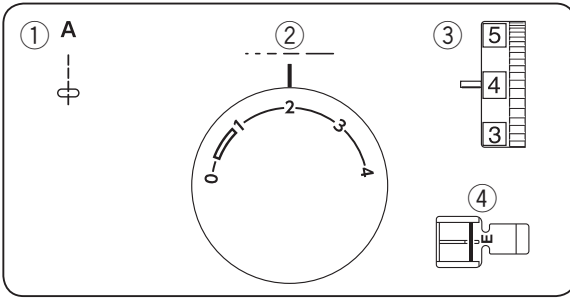
Move the slider toward you so that the top mark on the slider meets the start mark.

- ③ Start mark
- ④ Top mark
- ⑤ Needle thread
- ⑥ Bobbin thread

Lower the needle into the fabric at the starting point and lower the foot. Depress the foot control gently and sew the buttonhole over the cord. The sewing sequence is the same as the 4-step buttonhole.

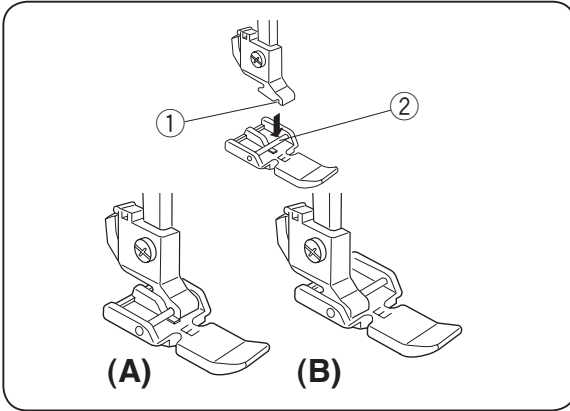
- 3 Pull the left end of the filler cord to tighten it and cut the excess tails.

To cut the buttonhole opening, refer to the instructions on page 22.



Zipper Application

- ① Stitch pattern: A
- ② Stitch length: 1.5 – 4
- ③ Thread tension: 3 – 6
- ④ Presser foot: Zipper foot E

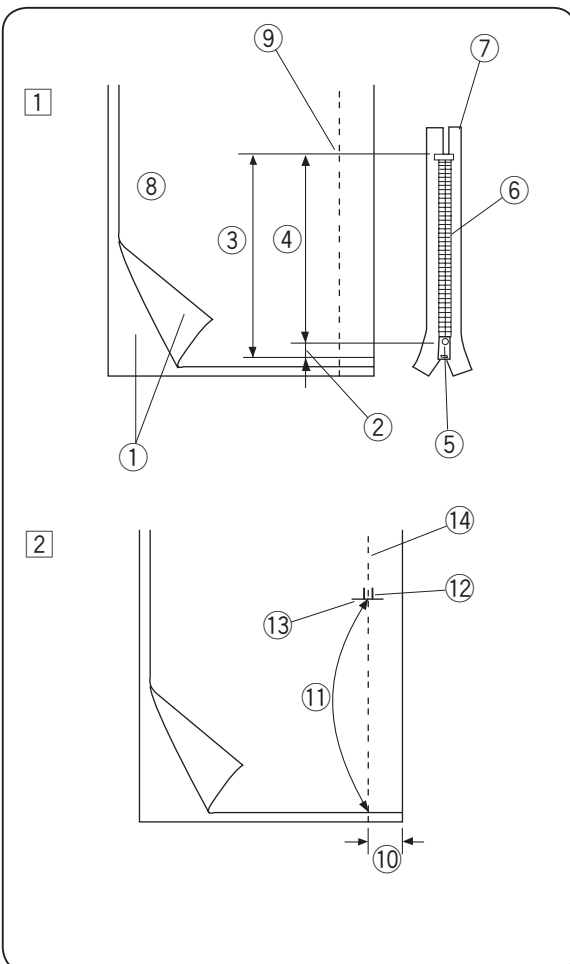


Attaching the zipper foot

A: To sew the left side of the zipper, attach zipper foot with the right side pin.

B: To sew the right side of zipper, attach the zipper foot with the left side pin.

- ① Groove
- ② Pin



Fabric preparation

① Add 3/8" (1 cm) to the zipper size. This is the overall opening size.

- ① Right side of the fabric
- ② 3/8" (1 cm)
- ③ Opening size
- ④ Zipper size
- ⑤ Slider
- ⑥ Zipper teeth
- ⑦ Zipper tape
- ⑧ Wrong side of the fabric
- ⑨ End of the opening

② Place the right (top) sides of the fabric together. Sew a bottom seam 5/8" (2 cm) from the right edge to the zipper bottom stop position. Sew a few stitches in reverse to lock.

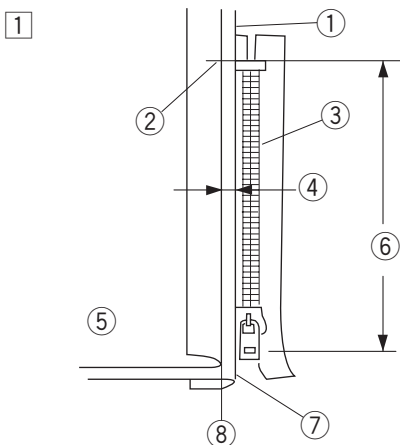
Increase the stitch length to "4", set needle thread tension to "1", and baste the entire length of the fabric.

- ⑩ 5/8" (2 cm)
- ⑪ Basting
- ⑫ Reverse stitch
- ⑬ End of the opening
- ⑭ Bottom seam

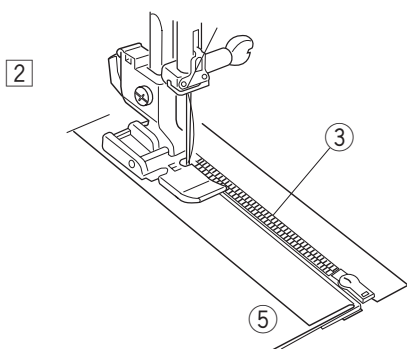
To sew

- 1 Attach zipper foot with the right side pin. Fold back the upper layer seam allowance. Fold back the lower layer seam allowance to leave a 1/8" (0.4 cm) margin of fabric.

- ① Lower layer
- ② End of the opening
- ③ Zipper teeth
- ④ 1/8" (0.4 cm) margin
- ⑤ Upper layer
- ⑥ Opening size
- ⑦ Folded edge
- ⑧ Basting

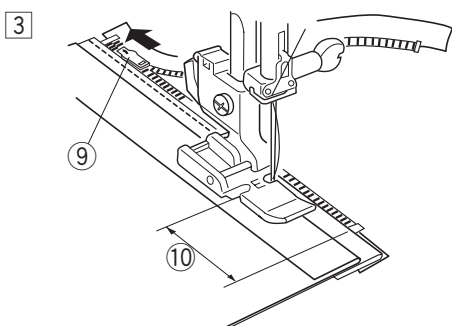


- 2 Place zipper teeth next to margin edge and baste the zipper tape to the lower fabric layer. Align zipper foot with margin edge. Return thread tension and stitch length to original settings. Sew a seam the entire length of zipper tape.



- 3 Stop the machine 2" (5 cm) before reaching the slider, with needle in the fabric and raise the foot, then unzip a few inches to clear a path for stitching.

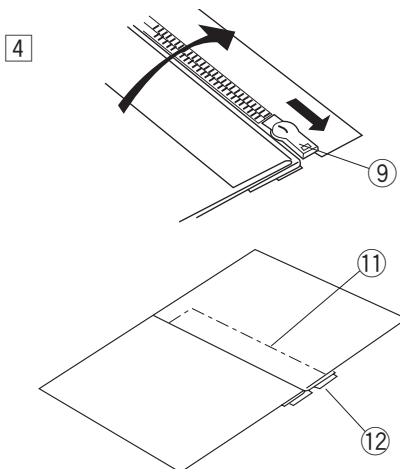
- ⑨ Slider
- ⑩ 2" (5 cm)

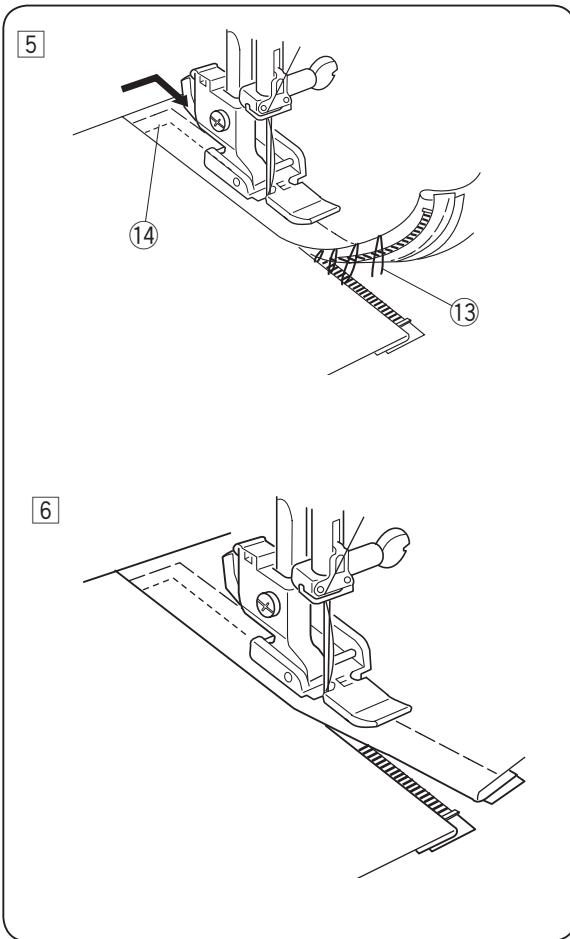


- 4 Remove fabric and close zipper. Take the upper fabric layer and lay it flat over the zipper.

Baste the zipper tape to the upper fabric layer.

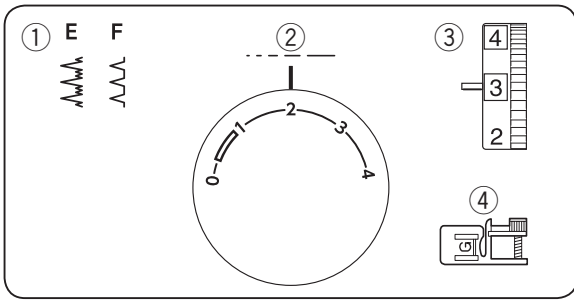
- ⑪ Basting
- ⑫ Zipper tape





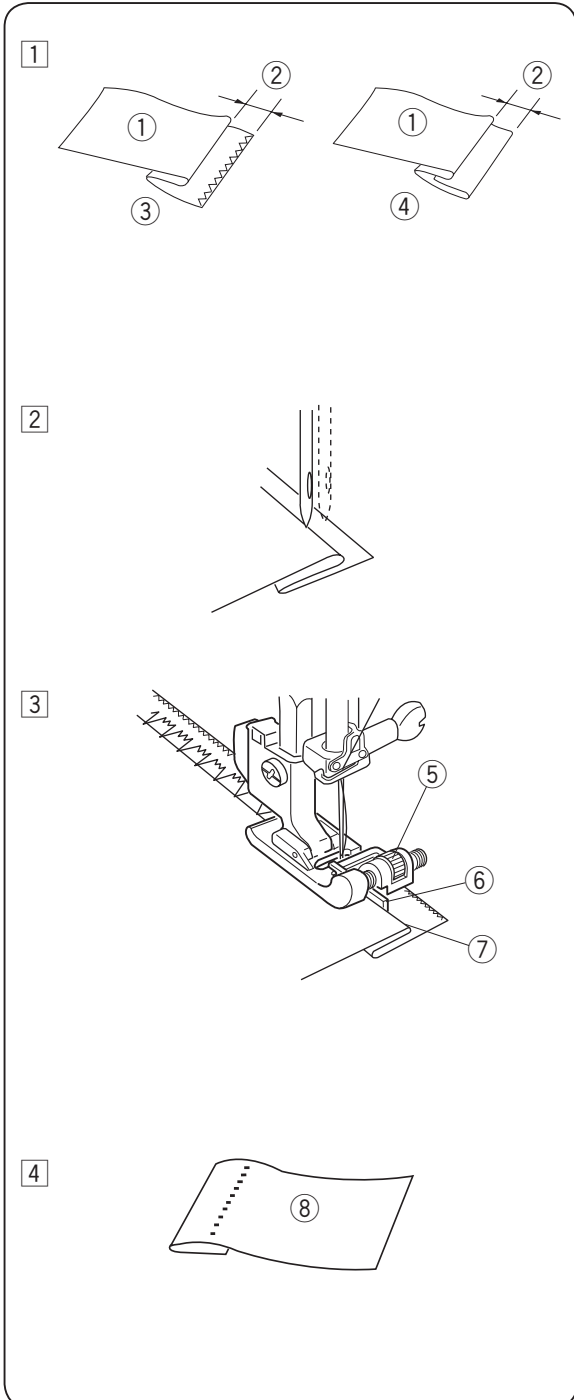
- 5 Raise and release the foot, and re-attach it with the left side pin. Starting just below zipper bottom stop, sew across fabric to about 3/8" (1 cm) distance from the basting line. Turn fabric 90 degrees and sew a seam the entire length of the zipper tape. Before reaching the slider, stop the machine with needle in fabric and raise the foot. Use seam ripper to open a few inches of basting stitch.
- 13 Unstitch basting
 - 14 3/8" (1 cm)

- 6 Unzip a few inches to clear a path for stitching. At end of seam, sew a few stitches in reverse to lock. Once both sides of zipper are sewn, use the seam ripper to open the basting stitch.



Blind Hemming

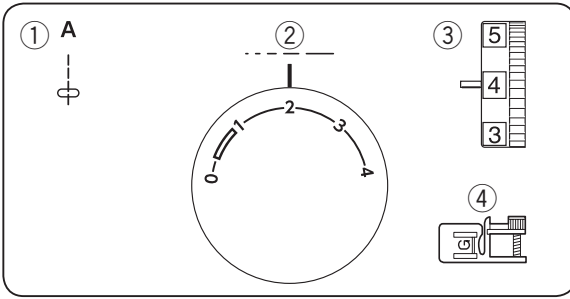
- ① Stitch pattern: E or F
- ② Stitch length: 2 – 3
- ③ Thread tension: 1 – 4
- ④ Presser foot: Blind hemming foot G



- ① On heavy weight fabrics that ravel, the raw edge should be overcast first. Fold the hem under the fabric as illustrated for fine or medium fabrics. Fold a hem with the wrong side up forming a 1/8" (0.5 cm) allowance.
 - ① Wrong side of the fabric
 - ② 1/8" (0.5 cm)
 - ③ Heavy weight fabric
 - ④ Fine and medium weight fabric
- ② Place the fabric so that the needle just pierces the folded edge when the needle comes over the extreme left side. Lower the presser foot.
- ③ Turn the screw to align the guide on the foot with the folded edge so that the needle just pierces the fold. If the needle pierces too far left, move the guide slightly to the left. If the needle misses the fold, move the guide slightly to the right. Sew slowly while guiding the folded edge along the guide.
 - ⑤ Screw
 - ⑥ Guide
 - ⑦ Folded edge
- ④ Open and press the fabric after sewing is finished.
 - ⑧ Right side of the fabric

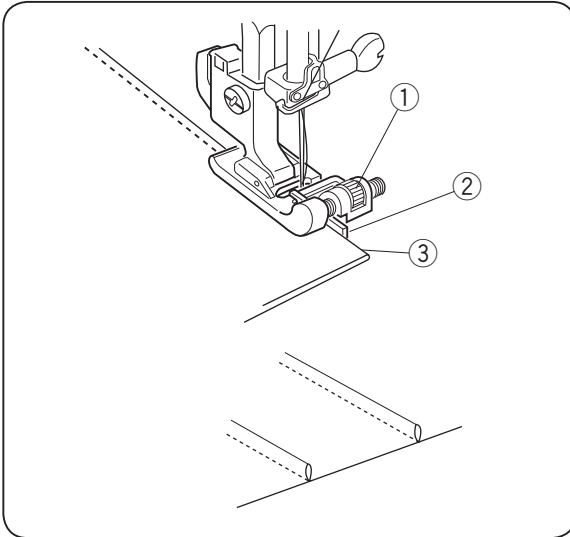
NOTE:

If the needle drops too far left, the stitches will be apparent on the right side of the fabric.



Pin Tucking

- ① Stitch pattern: A
- ② Stitch length: 1.5 – 3
- ③ Thread tension: 2 – 6
- ④ Presser foot: Blind hemming foot G

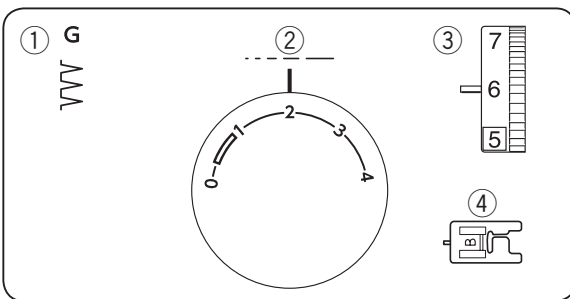


Fold a fabric wrong side together. Lower the needle into the fabric 0.1 – 0.2 cm inside the folded edge.

Lower the foot and turn the screw to align the guide on the foot with the folded edge. Sew slowly while guiding the folded edge along the guide.

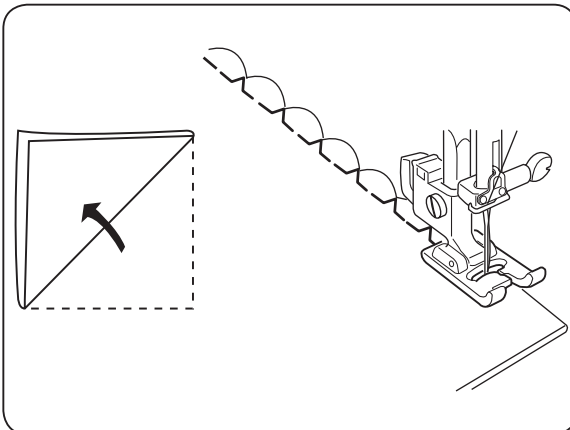
Open the fabric and iron press the tucks.

- ① Screw
- ② Guide
- ③ Folded edge



Shell Tucking

- ① Stitch pattern: G
- ② Stitch length: 2 – 3
- ③ Thread tension: 6 – 8
- ④ Presser foot: Buttonhole foot B

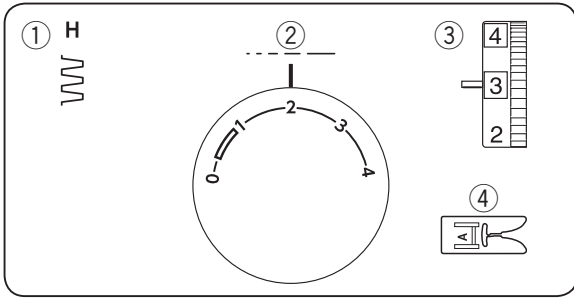


Use a lightweight fabric (tricot, for example). Fold and stitch on the bias.

When the needle swings to the right, allow the needle to just clear the folded edge of the fabric. After stitching, open the fabric and iron press the tucks flat to one side.

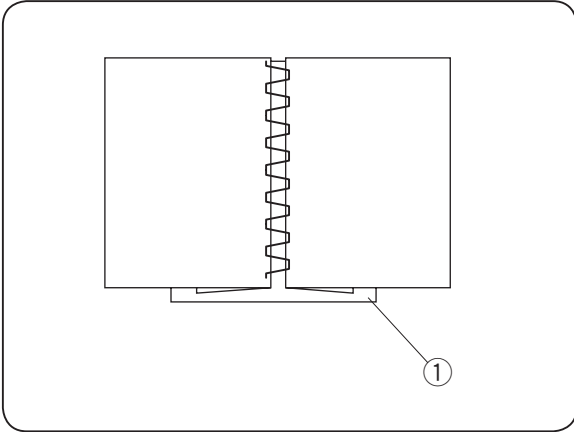
NOTE:

Increase the needle thread tension to form prominent tucks.



Fagoting

- ① Stitch pattern: H
- ② Stitch length: 1 – 3
- ③ Thread tension: 1 – 4
- ④ Presser foot: Zigzag foot A



Use this stitch to join two pieces of fabric to create an open work appearance, and add design interest.

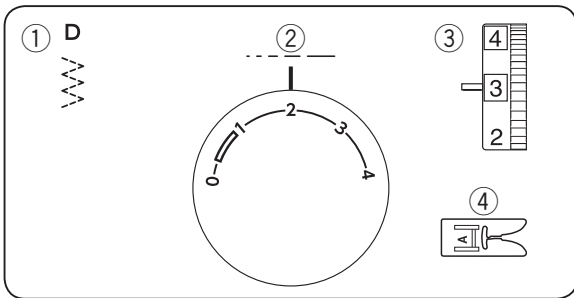
Fold under each fabric edge 1/2" (1.3 cm) and press.

Pin the two edges to a piece of paper or tear-away backing 1/8" (0.3 cm) apart.

- ① Paper

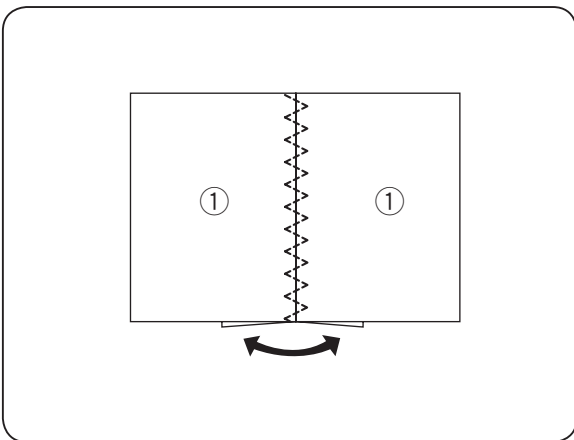
Sew slowly, guiding the fabric so the needle catches the folded edge on each side.

Tear away the backing after sewing is finished.



Patchwork

- ① Stitch pattern: D
- ② Stitch length: 1 – 3
- ③ Thread tension: 1 – 4
- ④ Presser foot: Zigzag foot A



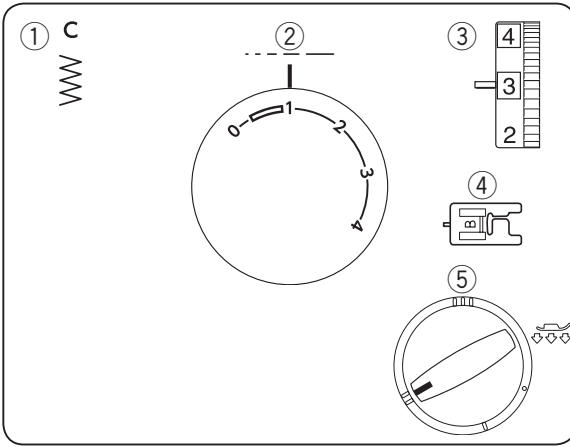
Place two layers of the fabric with the right side together. Seam along the edges with the straight stitch.

Open fabrics flat and fold each seam allowances.


Place the fabric under the foot so that the seam line matches the center of the foot width.

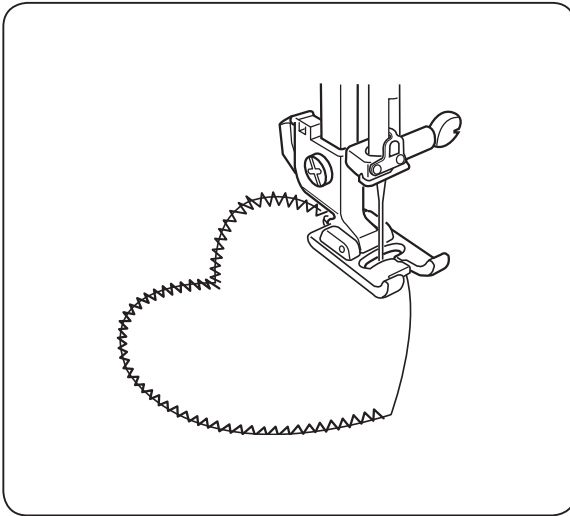
Lower the foot and sew the pattern along the seam line.

- ① Right side of the fabric



Appliqué

- ① Stitch pattern: C
- ② Stitch length: 0.5 – 1
- ③ Thread tension: 1 – 4
- ④ Presser foot: Buttonhole foot B
- ⑤ Foot pressure: “” (2)




Baste appliqué pieces on the fabric, or fuse the appliqué pieces with an iron-on fabric joiner. Stitch around the appliqué, making sure the needle at the right swing falls along the outer edge of the appliqué.

Turning the corner:

Stop the machine and lower the needle into the fabric at the outer edge of the appliqué. Raise the presser foot and pivot the fabric into the new direction.

NOTE:

Return the foot pressure dial to “” (3) after finishing.

CARE AND MAINTENANCE



WARNING:

Turn the power switch off and unplug the machine before cleaning.

NOTE:

Do not dismantle the machine in any way other than what is explained in this section.

Clean the outside of the machine with a soft cloth and mild soap.

Cleaning the Hook Race and Feed Dog

- 1 Remove the presser foot and needle.
Remove screw on the needle plate with the screwdriver.
Remove the needle plate and take out the bobbin.

① Screw

- 2 Lift up the bobbin holder and remove it.

② Bobbin holder

- 3 Brush out dust and lint. Wipe the bobbin holder with a soft, dry cloth.

- 4 Clean the feed dog and hook race with the lint brush.

③ Lint brush

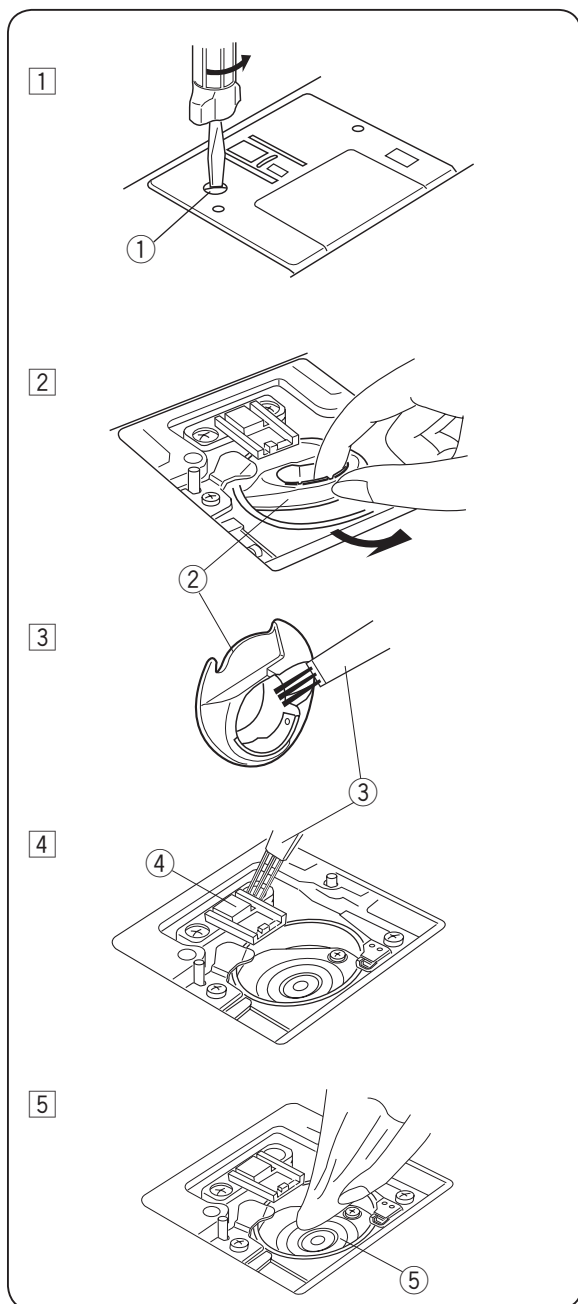
④ Feed dogs

- 5 Wipe the hook race with a soft, dry cloth.

⑤ Hook race

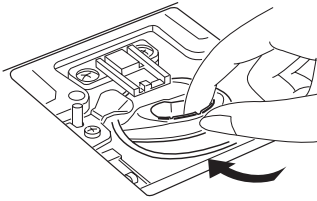
NOTE:

You may also use a vacuum cleaner.



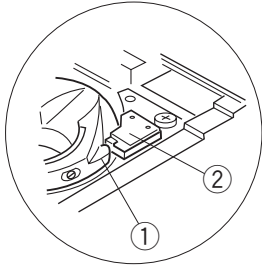
Replacing the Bobbin Holder

1 Insert the bobbin holder into the hook race.



1

2 Make sure the knob of the bobbin holder fits next to the stopper on the race.



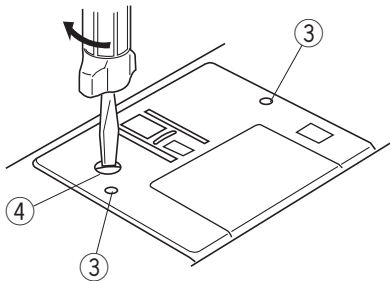
2

① Knob

② Stopper

3 Replace the bobbin.

Attach the needle plate, inserting the two guide pins into the holes in the needle plate. Tighten the screw firmly with the screwdriver.



3

③ Guide holes

④ Screw

Troubleshooting

Condition	Cause	Reference
The needle thread breaks.	<ol style="list-style-type: none"> 1. The needle thread is not threaded properly. 2. The needle thread tension is too tight. 3. The needle is bent or blunt. 4. The needle is incorrectly inserted. 5. The needle thread and the bobbin thread are not drawn to the rear and set properly under the presser foot when starting sewing. 6. The fabric is not drawn to the rear when sewing is finished. 7. The thread is too heavy or too fine for the needle. 	<p>Page 13 Page 16 Page 9 Page 8 Page 17</p> <p>Page 17</p> <p>Page 9</p>
The bobbin thread breaks.	<ol style="list-style-type: none"> 1. The bobbin thread is not threaded properly in the bobbin holder. 2. Lint has collected in the bobbin holder. 3. The bobbin is damaged and does not turn smoothly. 4. The thread is wound loosely on the bobbin. 	<p>Page 12</p> <p>Page 32 Replace the bobbin. Rewind the bobbin.</p>
The needle breaks.	<ol style="list-style-type: none"> 1. Needle is incorrectly inserted. 2. The needle is bent or blunt. 3. The needle clamp screw is loose. 4. A proper foot is not used. 5. The fabric is not drawn to the rear when sewing is finished. 6. The needle is too fine for the fabric being sewn. 	<p>Page 8 Page 9 Page 8 Use the proper foot. Page 17</p> <p>Page 9</p>
The needle thread loops.	<ol style="list-style-type: none"> 1. The needle thread tension is too loose. 2. The needle size is not suitable for the thread. 	<p>Page 16 Page 9</p>
Skipped stitches	<ol style="list-style-type: none"> 1. The needle is incorrectly inserted. 2. The needle is bent or blunt. 3. The needle and/or thread are not suitable for the fabric being sewn. 4. A blue tip needle is not used for sewing stretch, very fine fabrics and synthetics. 5. The needle thread is not threaded properly. 6. A poor quality needle is used. 	<p>Page 8 Page 9 Page 9</p> <p>Page 9</p> <p>Page 13 Replace the needle.</p>
Seam puckering	<ol style="list-style-type: none"> 1. The needle thread tension is too tight. 2. The needle thread is not threaded properly. 3. The needle is too heavy for the fabric being sewn. 4. The stitch length is too long for the fabric. <p>* Use a stabilizer for very fine fabrics.</p>	<p>Page 16 Page 13 Page 9 Make stitch shorter.</p>
The cloth is not fed smoothly.	<ol style="list-style-type: none"> 1. The feed dog is packed with lint. 2. The stitches are too fine. 3. The feed dog was not raised after being lowered. 4. The foot pressure is not adjusted properly. 	<p>Page 32 Make stitch longer. Page 6 Page 6</p>
The machine does not work.	<ol style="list-style-type: none"> 1. The machine is not plugged in. 2. Thread is caught in the hook race. 3. The bobbin winder spindle is not returned to the left after bobbin winding. 	<p>Page 5 Page 32 Page 11</p>
The buttonhole is not sewn well.	<ol style="list-style-type: none"> 1. The stitch density is not suitable for the fabric being sewn. 	<p>Page 23</p>

Troubleshooting

Condition	Cause	Reference
Noisy operation	1. The feed dog is packed with lint. 2. Lint has collected in the bobbin holder.	Page 32 Page 32
Layer slippage	1. The foot pressure is not adjusted properly.	Page 6

