

Pattern # 4  
Fabric - Cut 2

Pattern # 1

Page 1B

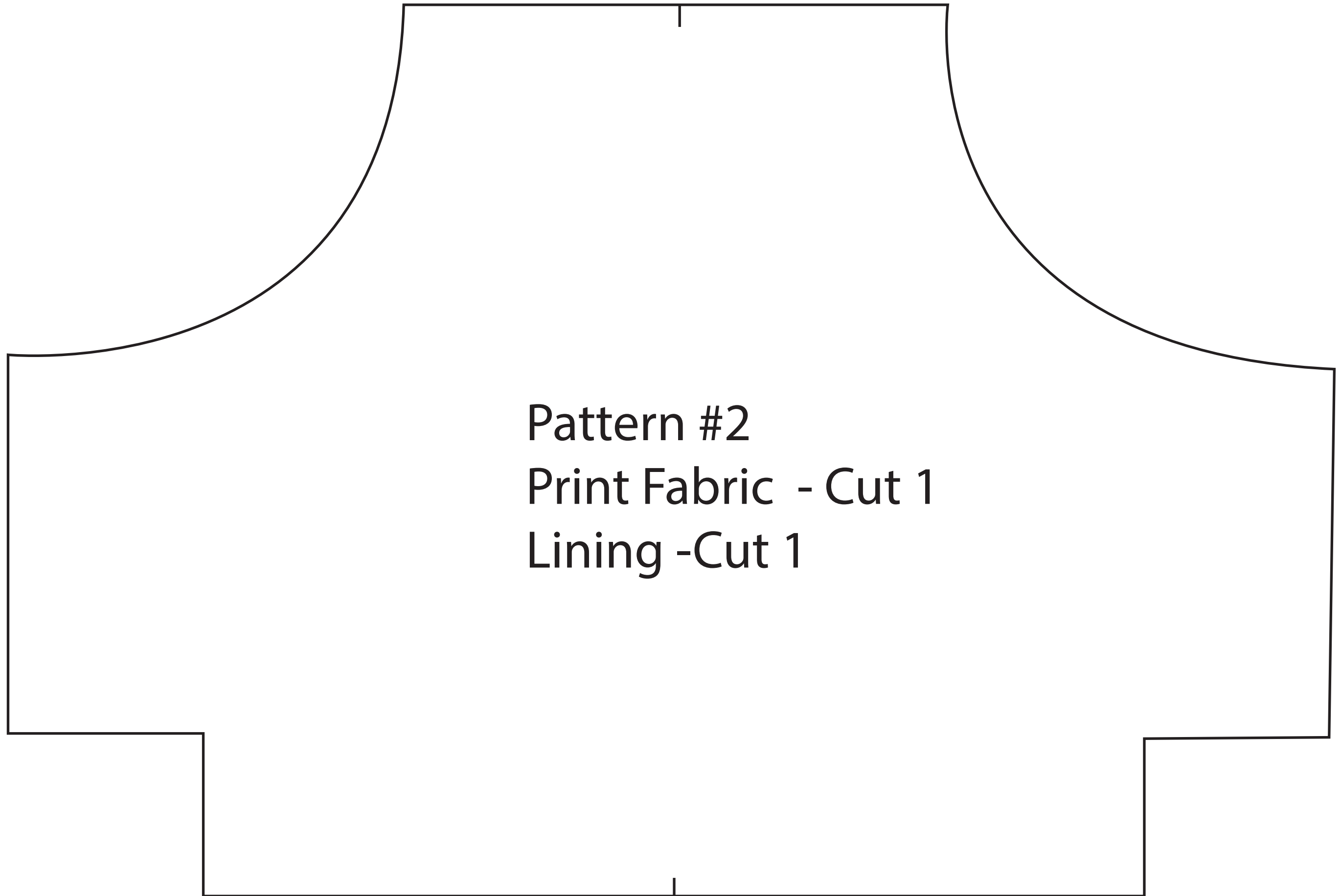
Tape Page 1A To HERE

Page 1A

Pattern # 1 Bag Front & Back

Fabric - Cut 2

Lining - Cut 2



Pattern #2

Print Fabric - Cut 1

Lining -Cut 1

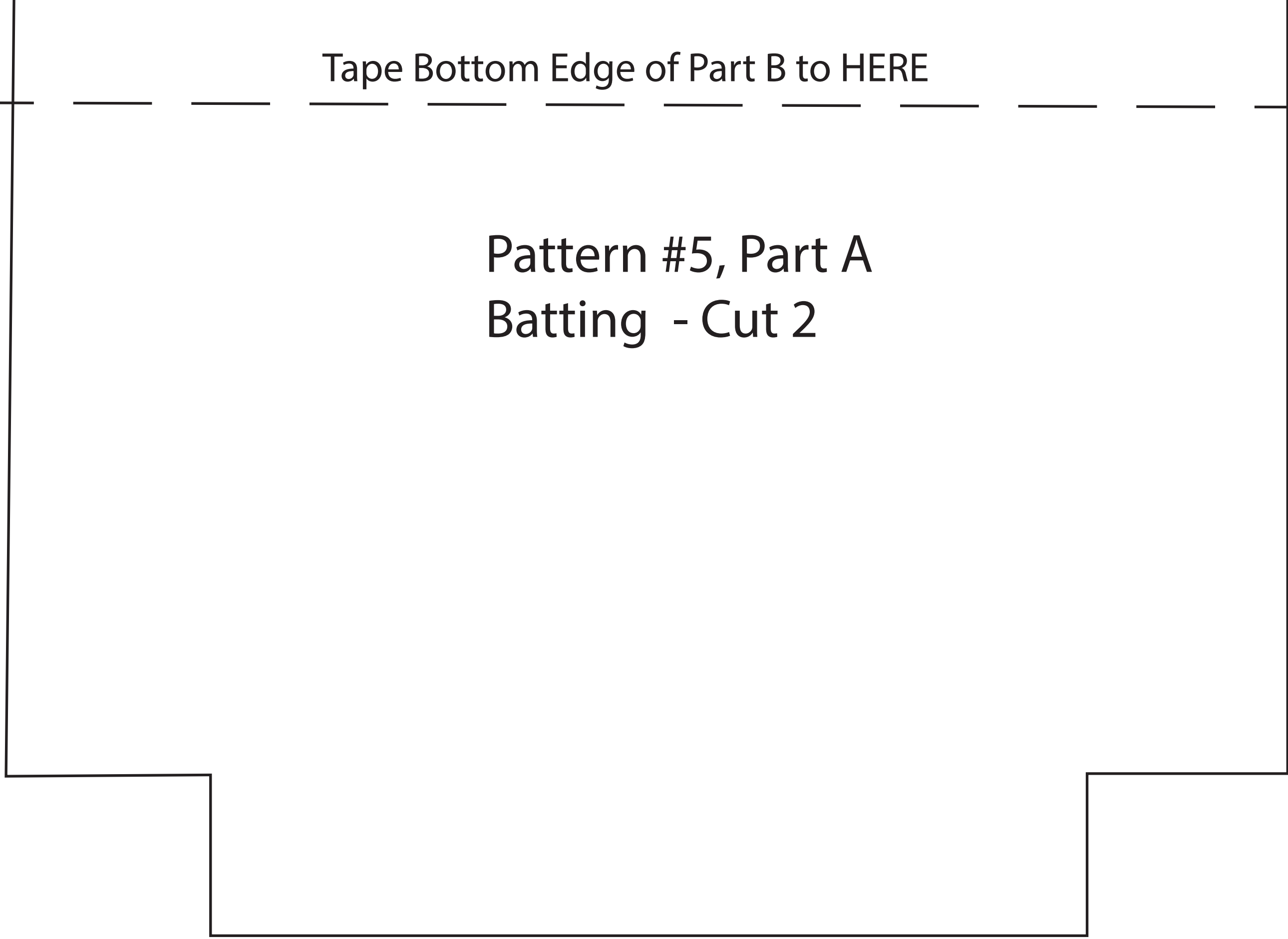
Pattern #7  
Batting - Cut 1



Pattern #3  
Print Fabric - Cut 1  
Lining - Cut 1

Tape Bottom Edge of Part B to HERE

Pattern #5, Part A  
Batting - Cut 2



Pattern #1 Bag Front & Bag Lining for Front & Back

Pattern #2 Pocket & Lining

Pattern #3 Flap & Lining

Pattern #4 Straps for Swivel Hook & D Ring

Pattern #5 Batting for Back

Pattern #6 Batting for Pocket

Pattern #7 Batting for Flat

Pattern #5, Part B



Pattern #6  
Batting - Cut 1