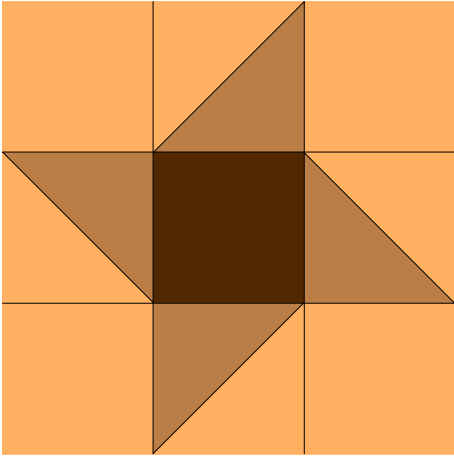


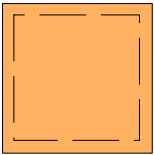
Friendship Star

Entered size (W x H) : 8 x 8 inch

Seam allowance : 1/4 inch



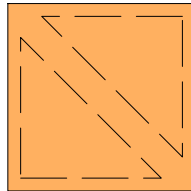
Completed pattern size (W x H) : 7 7/8 x 7 7/8 inch



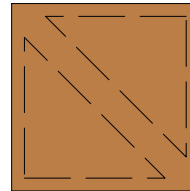
A1 x 4
W: 3 1/8 inch
H: 3 1/8 inch



A2 x 1
W: 3 1/8 inch
H: 3 1/8 inch

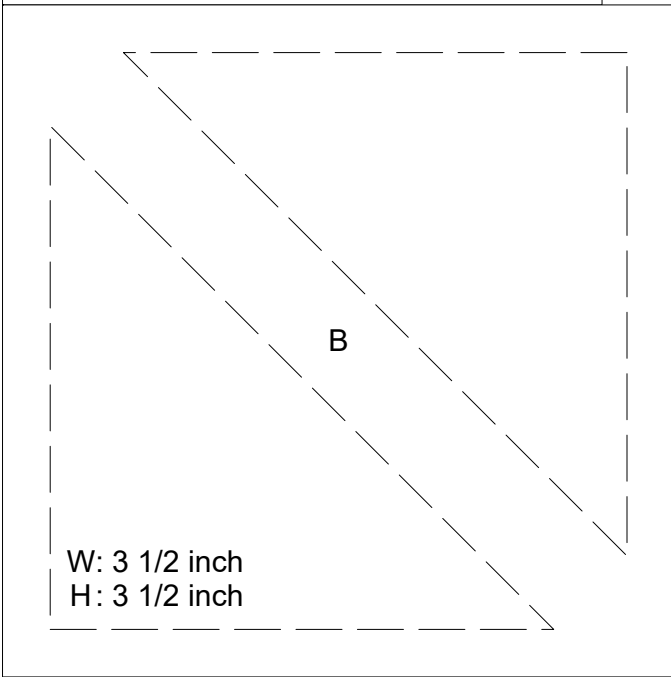
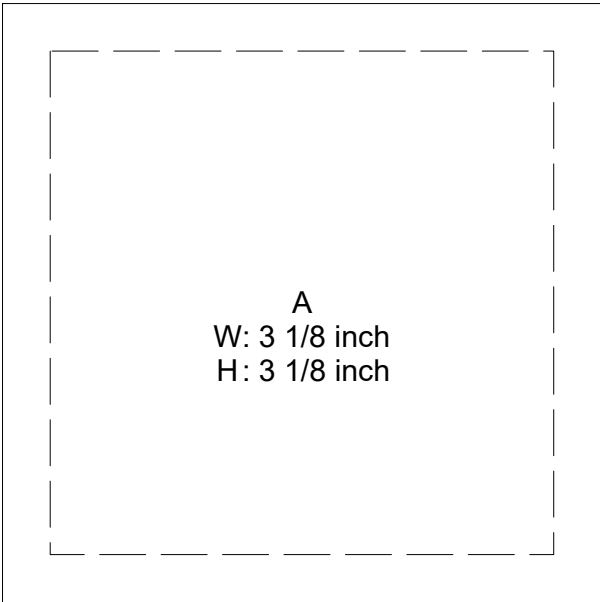


B1 x 2
W: 3 1/2 inch
H: 3 1/2 inch

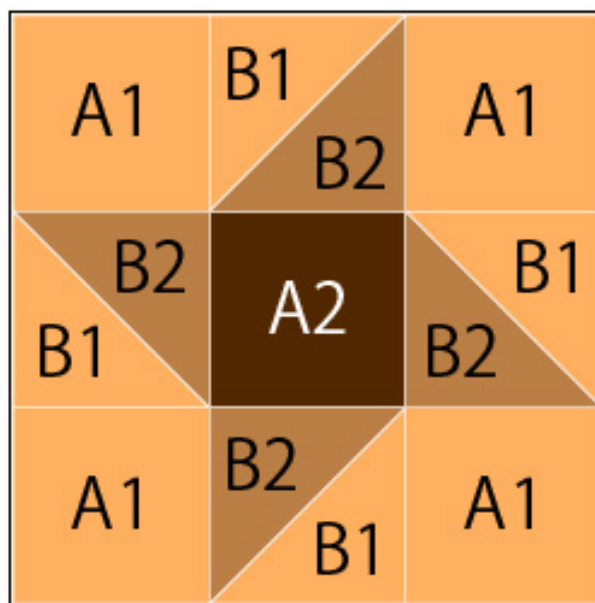
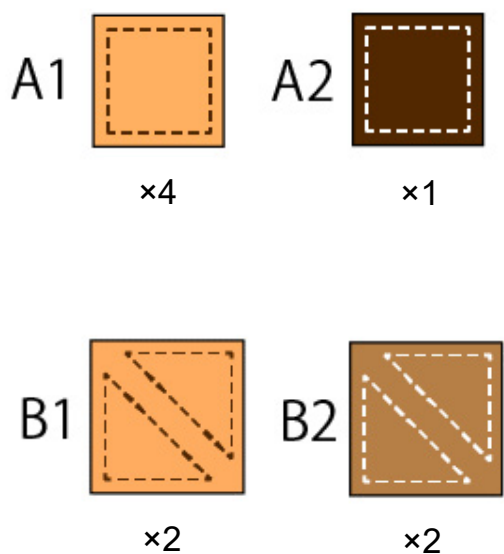


B2 x 2
W: 3 1/2 inch
H: 3 1/2 inch

Actual piece size (Seam allowance : 1/4 inch)



Friendship Star



1. Cutting

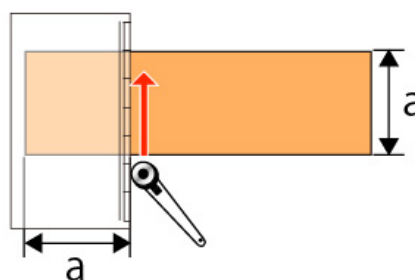
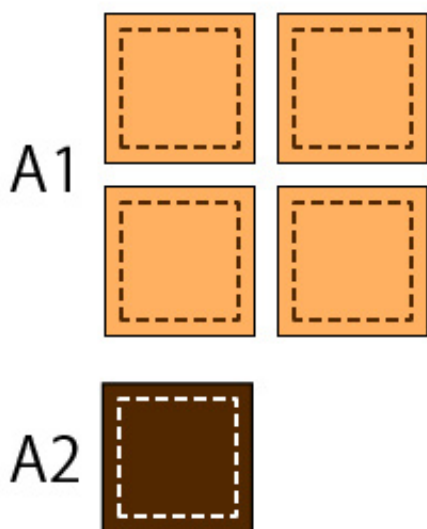
Squares (A)

Prepare two pieces of fabric (A1 and A2) in different colors.

Cut squares with "a" length from A1 and A2 respectively.

The value of "a" is noted in Piece A1 and A2 Width/Height in the left side of screen.

*The number of pieces varies depending on the number of required square pieces.



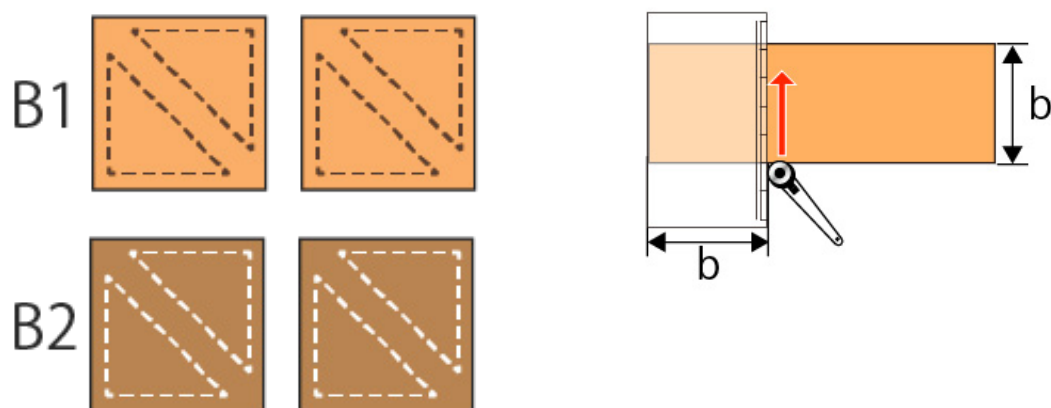
Half square triangles (B)

Prepare two pieces of fabric (B1 and B2) in different colors.

Cut squares with "b" length from B1 and B2 respectively.

The value of "b" is noted in Piece B1 and B2 Width/Height in the left side of screen.

*The number of pieces varies depending on the number of required square pieces.



NOTE:

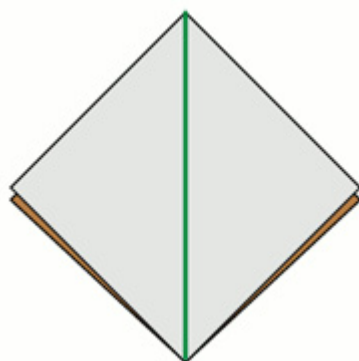
For [How to select the stitch's "Stitch Pattern", "Foot" and "How to use the foot"](#).

[

If a security warning message is appeared, click "Allow".

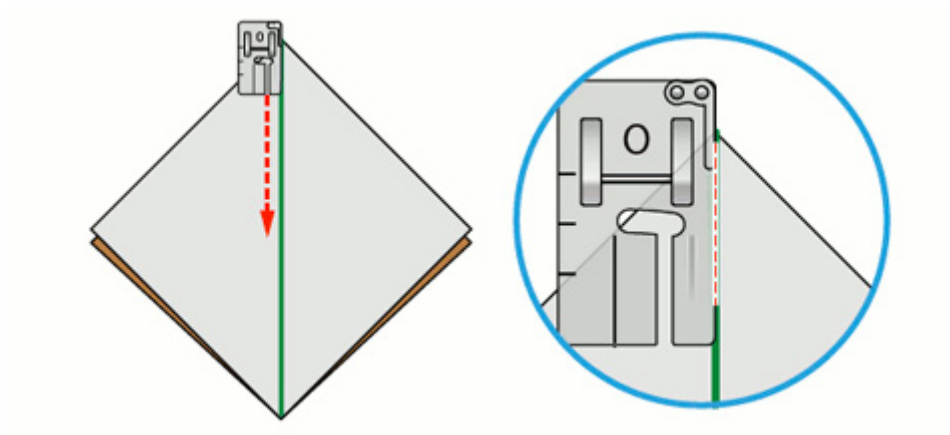
2. Block Assembly

- ① Draw diagonal line on wrong side of B1 squares.
Place B1 with a drawn line atop matching B2, right sides facing.

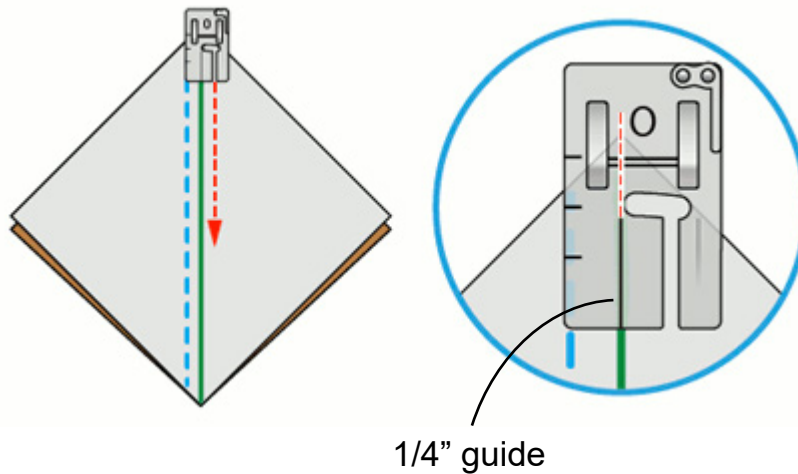


- Sew along both sides of the guide line.

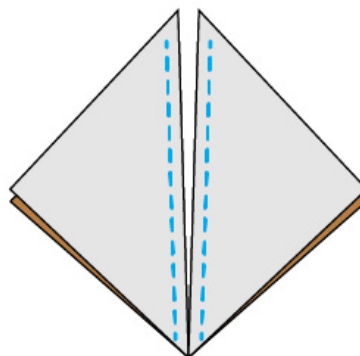
Place the squares under the presser foot, lining up the drawn line with the right hand edge of the foot to sew.



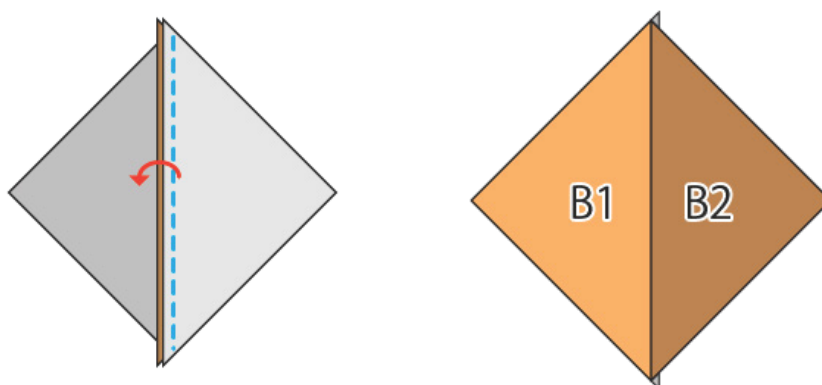
Place the squares under the presser foot lining up the drawn line with the 1/4" guide on the foot to sew.



- Cut squares apart on the drawn line to make two triangle-squares.



- Press seams towards darker fabric (in this case, B2).

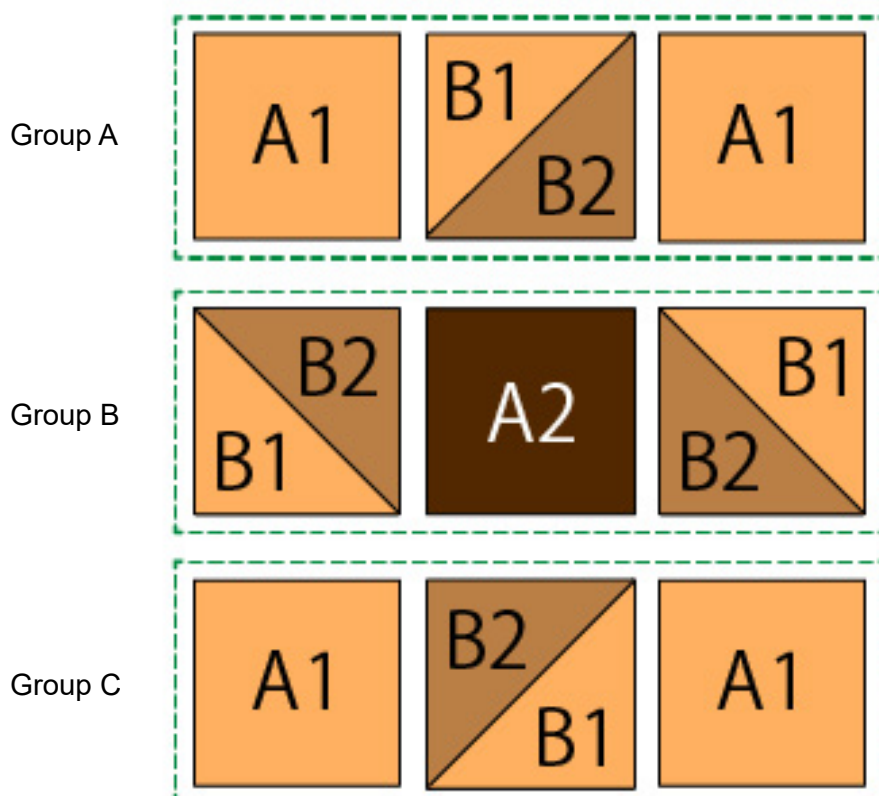


Make four units.

3. Quilt Assembly

Ⓞ Lay out A squares and B units as shown in the Friendship Star Block Assembly Diagram.

Friendship Star Block Assembly Diagram

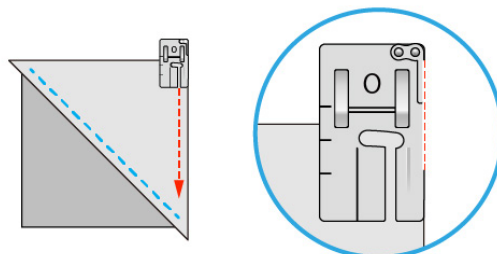
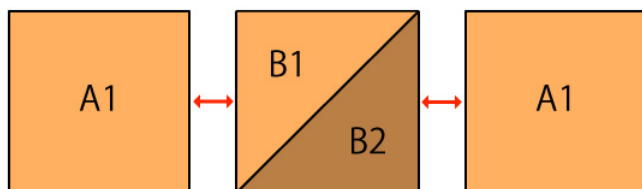


② Sew A squares and B unit together into groups.

Place A squares and B unit right sides facing. Place the units under presser foot, lining up the edge of the fabric with the right hand edge of the foot to sew.

Group A: Press seams towards A1.

e.g.: Group A



Make Group B and Group C as the same.

Group B: Press seams towards A2.

Group C: Press seams towards A1.

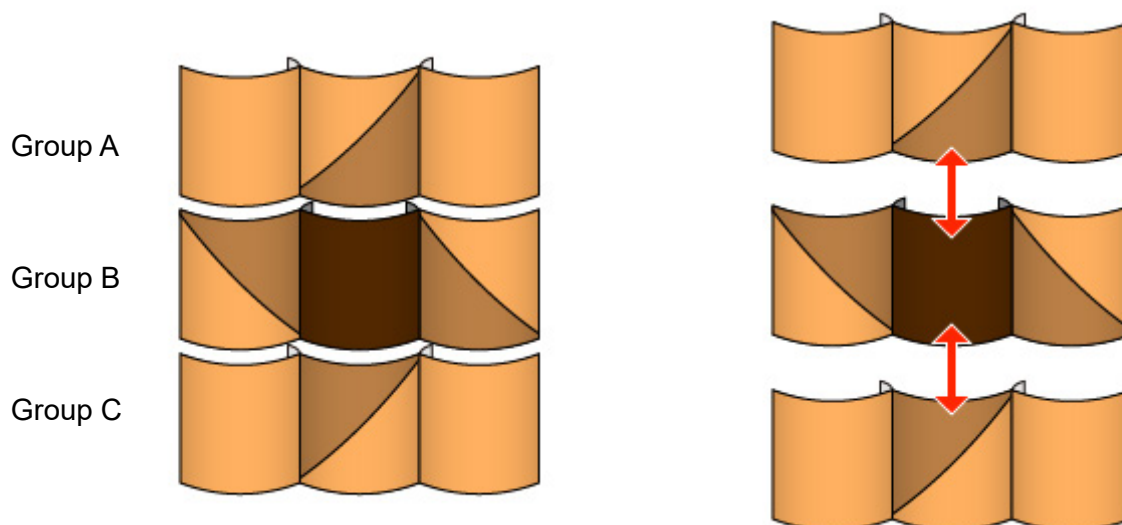
NOTE:

Cut off dog ears.

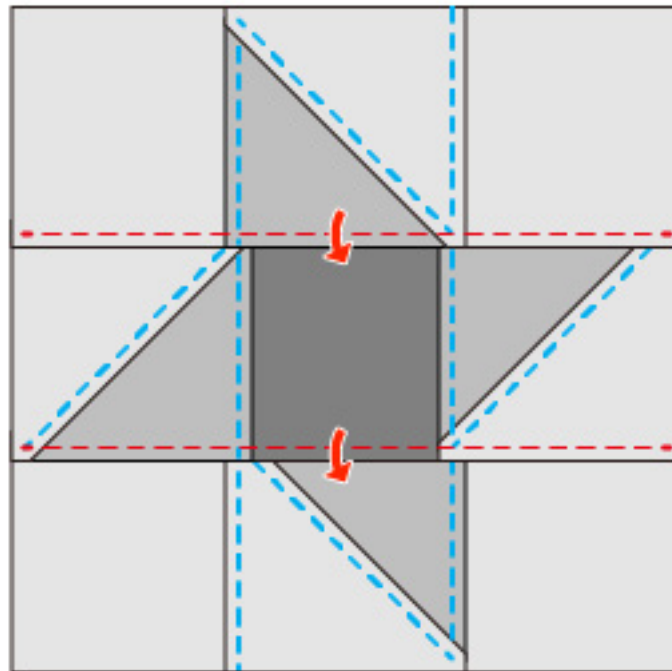
• Sew Group A, Group B and Group C together to complete one Friendship Star block.

NOTE:

Use marking pins to match the pieces together.



- Press seams in one direction.



- Arrange blocks as desired.

Finish

